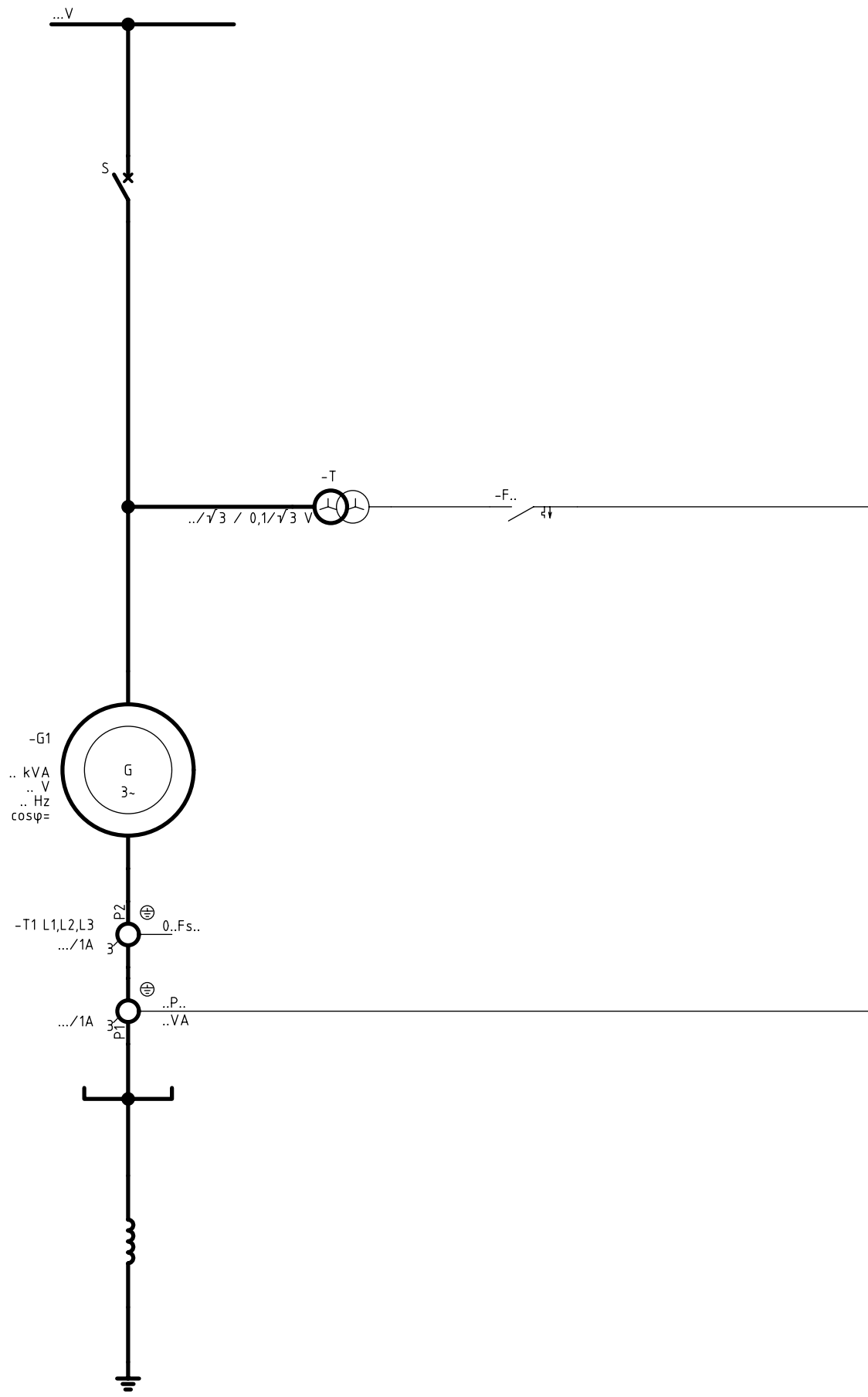


Archiv: SIPROTEC / YU / 7UM61 / 011 /  
Blank form: FBSTP\_R1  
Date of print: 14.11.2002  
Time of print: 11:22 h  
File-No.: 000099

Copyright (C) Siemens AG 2002 All Rights Reserved

Project: angebbas  
SYMBOL LIBRARY 1: EVSBasis  
SYMBOL LIBRARY 2: xxxxx  
SYMBOL LIBRARY 3: xxxxx  
SYMBOL LIBRARY 4: xxxxx  
ELCAD-VERSION: 5.7x  
TRANSLATE FILE A:xxxxx  
TRANSLATE FILE B:xxxxx  
TRANSLATE FILE C:EVSBasFB.ce  
TRANSLATE FILE D:EVSBasGT.de

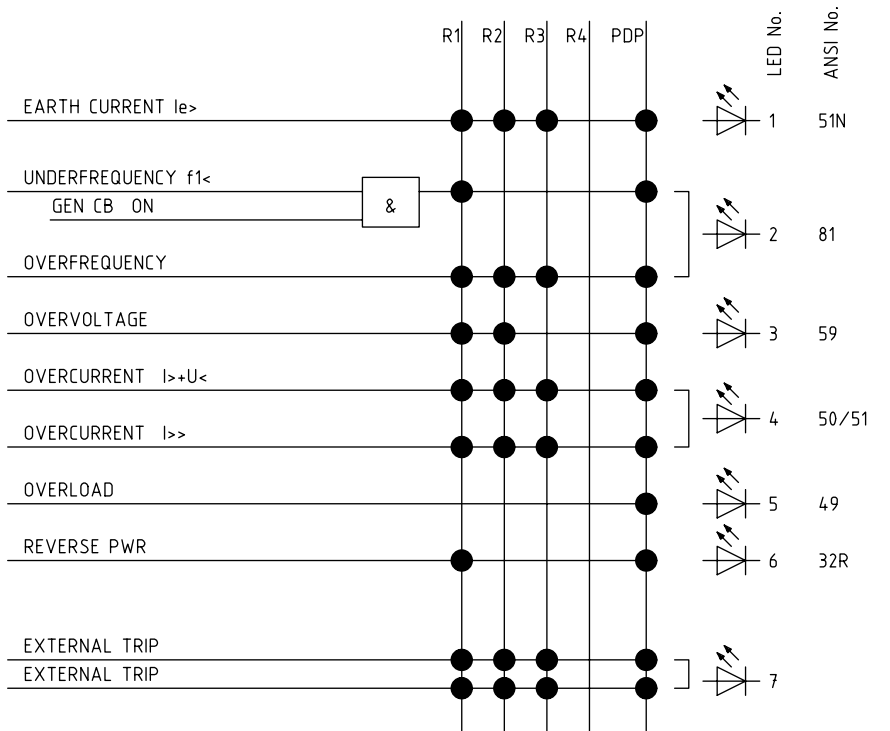
1 2 3 4 5 6 7 8



- R1 GEN CB
- R2 RAPID SHUT DOWN
- R3 EXCITATION
- R4 SPARE
- PDP SIGNALLINGS

-F11 7UM611-A (Basic)		
J L1	EARTH CURRENT Ie>	51N
J L2	UNDERFREQUENCY	81
J L3	OVERFREQUENCY	81
J EE	OVERVOLTAGE	59
U L1	OVERCURRENT I>+U<	51
U L2	OVERCURRENT I>>	50/51
U L3	OVERLOAD	49
U E	REVERSE PWR	32R

-F11  
7UM611



7UM61\_LV\_1.pdf

Date	02-10-24	SIPROTEC 4	GENERATOR PROTECTION	YU	SIPROTEC	011
Drawn	Donhauser	Busbar connected Low Voltage Generator	Siemens AG	U3241-P-U324-.....	7UM61	
Appr.	N.Mueller			(3)E50414-L0...-S100		Sheet 1-
Rev.	Remarks	Date	Name	Norm	Dr. Herrmann	Orig./Repl.f./Repl.by
1						