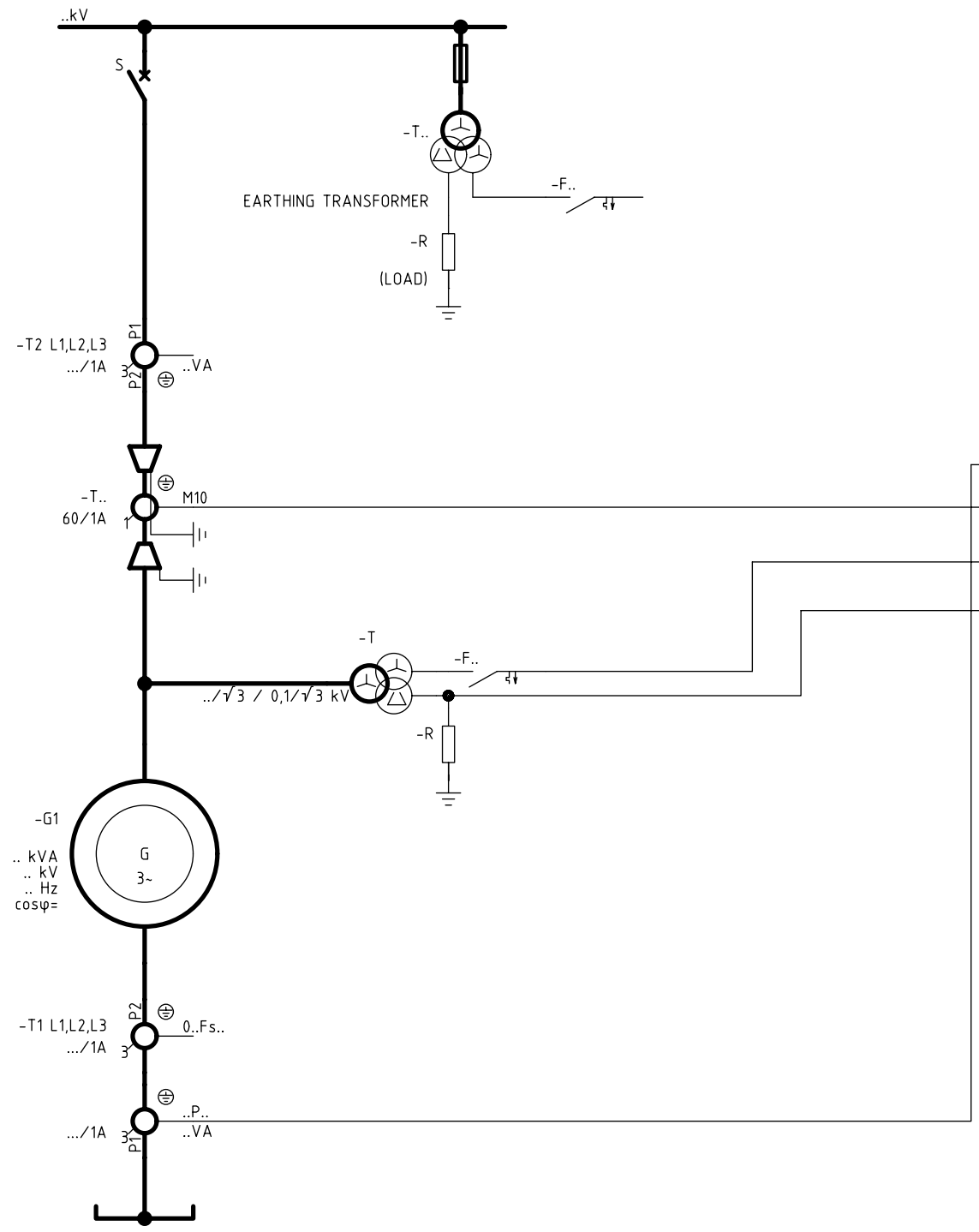


Archiv: SIPROTEC / YU / 7UM61 / 013 /
Blank form: FB5TP_R1
Date of print: 14.11.2002
Time of print: 11:24 h
File-No.: 000101

Copyright (C) Siemens AG 2002 All Rights Reserved

Project: angebbas
SYMBOL LIBRARY 1: EVSBasis
SYMBOL LIBRARY 2: xxxxx
SYMBOL LIBRARY 3: xxxxx
SYMBOL LIBRARY 4: xxxxx

ELCAD-VERSION: 5.7x
TRANSLATE FILE A:xxxxx
TRANSLATE FILE B:xxxxx
TRANSLATE FILE C:EVSBasFB.ce
TRANSLATE FILE D:EVSBasGT.de



- R1 GEN CB
- R2 RAPID SHUT DOWN
- R3 EXCITATION
- R4 SPARE
- PDP SIGNALLINGS

-F11 7UM61-B(Standard)			
J	L1	DIRECTIONAL STATOR E/F	67G
J	L2	EARTH FAULT Ue>	59N
J	L3	UNDERFREQUENCY	81
J	EE	OVERFREQUENCY	81
U	L1	OVERVOLTAGE	59
U	L2	OVERCURRENT I>+U<	51
U	L3	OVERCURRENT I>>	50/51
U	E	OVERLOAD	49
		REVERSE PWR	32R
		UNDEREXC	40
		UNBALANCED LOAD WARNING	46
		UNBALANCED LOAD TRIP	46
		EXTERNAL TRIP	
		EXTERNAL TRIP	

-F11
7UM61

	R1	R2	R3	R4	PDP	LED No. (7UM612)	ANSI No.
DIRECTIONAL STATOR E/F	●	●	●	●	●	1	67G
EARTH FAULT Ue>	●	●	●	●	●	2	59N
UNDERFREQUENCY f1< GEN CB ON	●	●	●	●	●	3	81
OVERFREQUENCY	●	●	●	●	●	4	81
OVERVOLTAGE	●	●	●	●	●	5	59
OVERCURRENT I>+U<	●	●	●	●	●	6	51
OVERCURRENT I>>	●	●	●	●	●	7	50/51
OVERLOAD	●	●	●	●	●	8	49
REVERSE PWR	●	●	●	●	●	9	32R
UNDEREXC	●	●	●	●	●	10	40
UNBALANCED LOAD WARNING	●	●	●	●	●	11	46
UNBALANCED LOAD TRIP	●	●	●	●	●	12	46
EXTERNAL TRIP	●	●	●	●	●	13	
EXTERNAL TRIP	●	●	●	●	●		

7UM61: ONLY 7 LED's

7UM61_MV_2.pdf

Rev.	Remarks	Date	Name	Norm	Dr.Herrmann	Orig./Repl.f./Repl.by	Siemens AG	GENERATOR PROTECTION	U3241-P-U324-.....	YU	SIPROTEC	013
		02-10-24	Donhauser		N.Mueller	Busbar connected Generator (< 1500 kVA) with Earthing Transformer				7UM61		
												Sheet 1-
												1 Sh