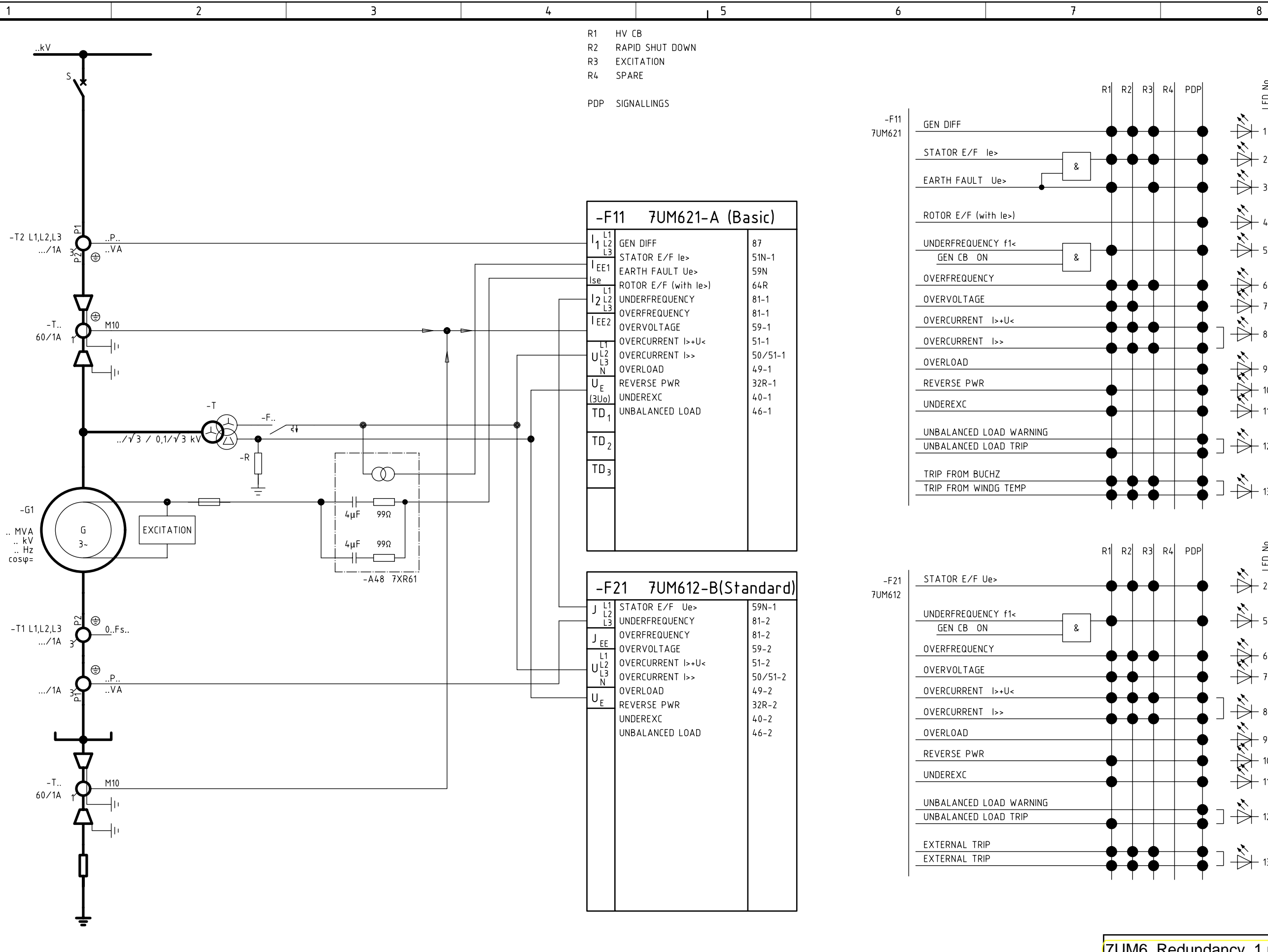


Archiv: SIPROTEC / YU / 7UM61,62 / 032 /  
Blank form: FBSTP\_R1  
Date of print: 14.11.2002  
Time of print: 11:26 h  
File-No.: 000106

Copyright (C) Siemens AG 2002 All Rights Reserved

Project: angebbas  
SYMBOL LIBRARY 1: EVSBasis  
SYMBOL LIBRARY 2: xxxxx  
SYMBOL LIBRARY 3: xxxxx  
SYMBOL LIBRARY 4: xxxxx  
ELCAD-VERSION: 5.7x  
TRANSLATE FILE A: xxxxx  
TRANSLATE FILE B: xxxxx  
TRANSLATE FILE C: EVSBasFB.ce  
TRANSLATE FILE D: EVSBasGT.de



- R1 HV CB
- R2 RAPID SHUT DOWN
- R3 EXCITATION
- R4 SPARE
- PDP SIGNALLINGS

-F11 7UM621-A (Basic)			
I <sub>1</sub>	L1 L2 L3	GEN DIFF	87
I <sub>EE1</sub>	L1 L2 L3	STATOR E/F Ie>	51N-1
		EARTH FAULT Ue>	59N
I <sub>se</sub>	L1 L2 L3	ROTOR E/F (with Ie>)	64R
		UNDERFREQUENCY	81-1
I <sub>EE2</sub>	L1 L2 L3	OVERFREQUENCY	81-1
		OVERVOLTAGE	59-1
U <sub>L1</sub>	L2 L3	OVERCURRENT I>+U<	51-1
		OVERCURRENT I>	50/51-1
U <sub>E</sub>	N	OVERLOAD	49-1
		REVERSE PWR	32R-1
TD <sub>1</sub>		UNDEREXC	40-1
		UNBALANCED LOAD	46-1
TD <sub>2</sub>			
TD <sub>3</sub>			

-F21 7UM612-B(Standard)			
J <sub>1</sub>	L1 L2 L3	STATOR E/F Ue>	59N-1
J <sub>EE</sub>		UNDERFREQUENCY	81-2
		OVERFREQUENCY	81-2
U <sub>L1</sub>	L2 L3	OVERVOLTAGE	59-2
		OVERCURRENT I>+U<	51-2
U <sub>E</sub>	N	OVERCURRENT I>	50/51-2
		OVERLOAD	49-2
TD <sub>1</sub>		REVERSE PWR	32R-2
		UNDEREXC	40-2
TD <sub>2</sub>		UNBALANCED LOAD	46-2

	R1	R2	R3	R4	PDP	LED No.	ANSI No.
-F11 7UM621						1	87
GEN DIFF	●	●	●	●	●	1	87
STATOR E/F Ie>	●	●	●	●	●	2	51N
EARTH FAULT Ue>	●	●	●	●	●	3	59N-1
ROTOR E/F (with Ie>)	●	●	●	●	●	4	64R
UNDERFREQUENCY f1<	●	●	●	●	●	5	81-1
OVERFREQUENCY	●	●	●	●	●	6	81-1
OVERVOLTAGE	●	●	●	●	●	7	59-1
OVERCURRENT I>+U<	●	●	●	●	●	8	50/51-1
OVERCURRENT I>	●	●	●	●	●	8	50/51-1
OVERLOAD	●	●	●	●	●	9	49-1
REVERSE PWR	●	●	●	●	●	10	32R-1
UNDEREXC	●	●	●	●	●	11	40-1
UNBALANCED LOAD WARNING	●	●	●	●	●	12	46-1
UNBALANCED LOAD TRIP	●	●	●	●	●	12	46-1
TRIP FROM BUCHZ	●	●	●	●	●	13	63
TRIP FROM WINDG TEMP	●	●	●	●	●	13	63

	R1	R2	R3	R4	PDP	LED No.	ANSI No.
-F21 7UM612						2	59N-2
STATOR E/F Ue>	●	●	●	●	●	2	59N-2
UNDERFREQUENCY f1<	●	●	●	●	●	5	81-2
OVERFREQUENCY	●	●	●	●	●	6	81-2
OVERVOLTAGE	●	●	●	●	●	7	59-2
OVERCURRENT I>+U<	●	●	●	●	●	8	50/51-2
OVERCURRENT I>	●	●	●	●	●	8	50/51-2
OVERLOAD	●	●	●	●	●	9	49-2
REVERSE PWR	●	●	●	●	●	10	32R-2
UNDEREXC	●	●	●	●	●	11	40-2
UNBALANCED LOAD WARNING	●	●	●	●	●	12	46-2
UNBALANCED LOAD TRIP	●	●	●	●	●	12	46-2
EXTERNAL TRIP	●	●	●	●	●	13	
EXTERNAL TRIP	●	●	●	●	●	13	

7UM6\_Redundancy\_1.pdf

Date	02-10-24	SIPROTEC 4	GENERATOR PROTECTION	YU	SIPROTEC	032
Drawn	Donhauser	Busbar connected Generator (5-10 MVA)	Siemens AG	U3241-P-U324-.....	7UM61,62	
Appr.	N.Mueller	with Grounding Resistor		(3)E50414-L0...-S100		Sheet 1-
Rev.	Remarks	Date	Name	Norm	Dr.Herrmann	Orig./Repl.f./Repl.by
1						