

Operating Manual

Universal-Relay TR 800 Web



Table of contents

1.	Application and short description	3
2.	Overview of functions	3
3.	Connection Plan	3
4.	Display and controls	4
5.	Important Informations	5
6.	Installation	6
7.	Detailed description	6
8.	Start-up operation (commissioning).....	7
8.1	General instructions on operating.....	7
8.2	Display mode.....	7
8.3	Menu mode.....	7
8.4	Info mode	7
8.5	Short operating diagram	8
8.6	Overview of commissioning.....	9
8.7	Switching on the unit	9
8.8	Connection to network and controls	9
8.9	Find the unit in the network	10
8.9.1	DHCP server	10
8.9.2	Default IP- Adress 10.10.10.10	10
8.9.3	Bonjour	11
8.9.4	UPnP	11
8.9.5	Information about the login window	11
8.10	Make the basic network settings.....	12
8.11	Sensor settings.....	13
8.12	Configuring the alarms	14
8.13	Alarm email.....	15
8.14	System	15
8.15	User management/access control	17
8.16	Logging (see also: 9.4 FTP Upload).....	17
8.17	View measurements and alarms, sensor simulation.....	18
8.18	Time-dependent control / Scheduler.....	19
9.	Ethernet protocols	20
9.1	UDP	20
9.2	Modbus TCP.....	20
9.3	SNMP (Option)	20
9.4	FTP Upload (Option)	20
10.	RS485 interface	20
10.1	Ziehl Standard Protocol	20
10.2	Modbus RTU	20
11.	Maintenance and Repair	20
12.	Troubleshooting.....	21
13.	Technical Data.....	22
14.	Housing design V8.....	24

1. Application and short description

Web-IO Universal Relay with ethernet-interface and 8 inputs for temperatur-sensors and other analog signals.

The TR 800 Web can be connected to the internet or an intranet and operated via TCP/IP from a normal PC with a suitable browser (tested with IE 7 and Firefox 3). No special software and no special instruction is required.

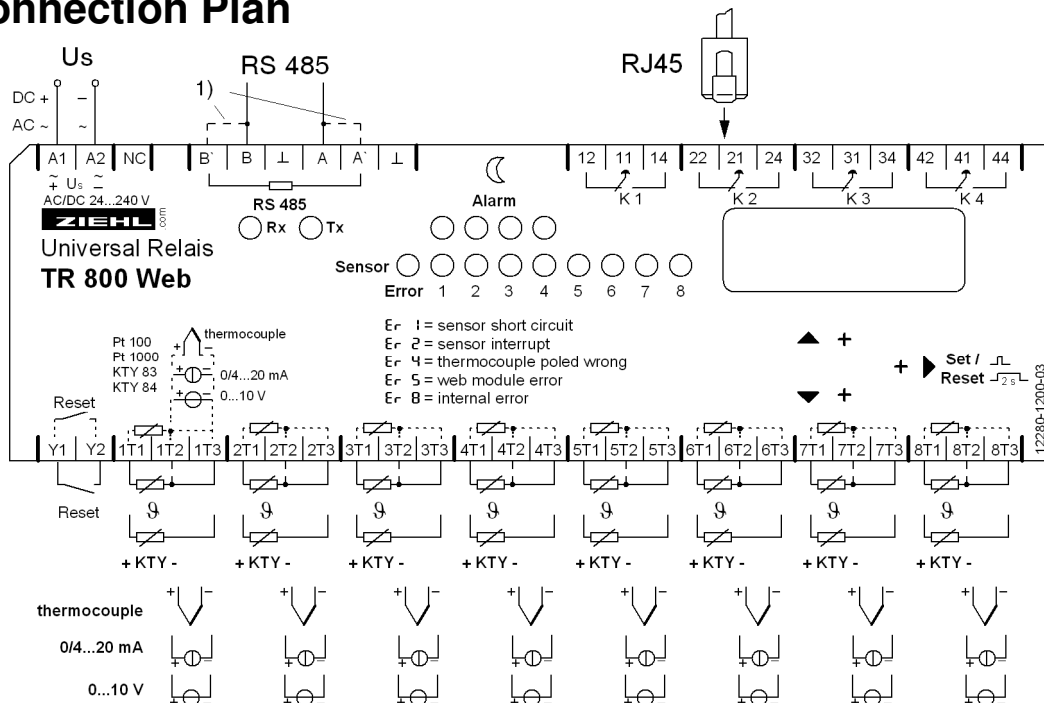
The Universal Relays TR 800 monitors and logs signals from up to 8 inputs.

Up to 8 limits (one per input) can be programmed for each of the 4 output-relays.

2. Overview of functions

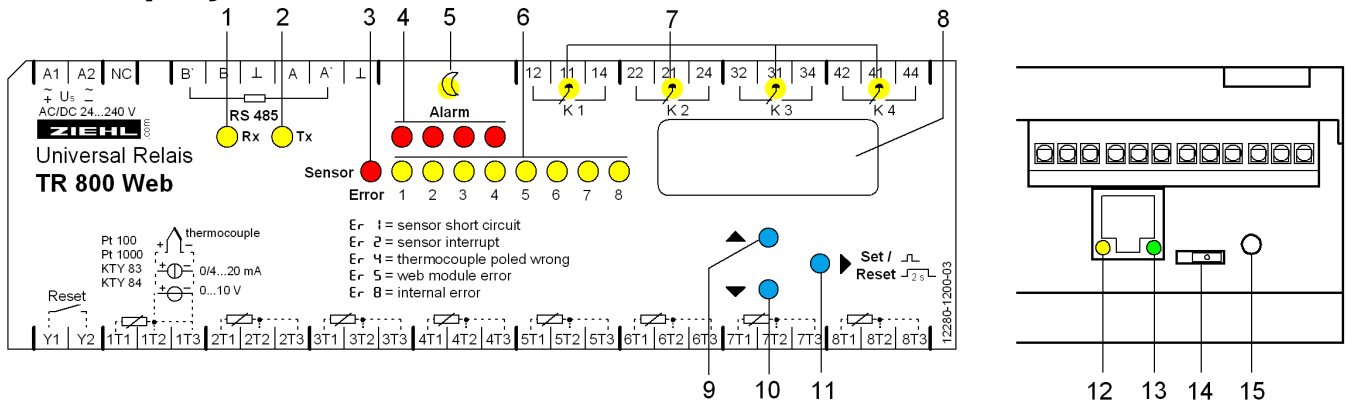
- 8 measuring inputs:
 - Pt 100, Pt 1000 in 2- or 3-wire
 - KTY 83 or KTY 84
 - Thermocouples type B, E, J, K, L, N, R, S, T
 - DC 0-10 V, DC 0/4-20 mA
 - Resistance 500 Ohm, resistance 30 kOhm
- 4 relay-outputs (each potential-free change-over contact)
- Ethernet interface (http, https, UDP, Modbus, Bonjour, UpNP, SNMP)
- RS485 interface (Standard Ziehl- and Modbus RTU- protocol)
- Universal power-supply AC/DC 24-240 V
- Integrated webserver for configuration, readout of measured data, user-management email-alarms, data- and alarm-logging
- Time-dependent control (day/night)
- realtime clock with synchronisation with timeserver

3. Connection Plan



1) Terminating resistor active: Bridge A to A' and B to B'

4. Display and controls



1, 2 LEDs (yellow) RS485 interface

- Rx flashes briefly: Unit is receiving data via the RS485 interface
- Tx flashes briefly: Unit is transmitting data via the RS485 interface
- Rx and Tx flash/illuminate during firmware update

3 LED (red) Sensor error

- Illuminated: Fault in a sensor circuit

4 LEDs (red) alarm

- Illuminated: Alarm (1-4) has occurred
- Flashes briefly (1:4): Response delay is running
- Flashes long (4:1): Backshift delay is running
- Flashes uniformly (1:1): Ready for reset, reset with key
Press "SET/RESET" $\geq 2s$ or ext. Reset Y1/Y2

5 LED (yellow) Night

- Illuminated: Limits for "Night" (can be set via browser) are active

6 LEDs (yellow) sensors

- Illuminated: Displays the sensor value belonging to the LED in the digital display
- Flashes: Sensor error in the corresponding sensor circuit

7 LEDs (yellow) relay state

- Illuminated: The relay belonging to the LED is picked up
- Off: The relay belonging to the LED is released

8 Digital display (4 digits)

- Display of sensor value
- Display of error codes
- Display of menu and configuration mode

9,10 Up button / Down button

- Change into the menu mode (see Operating instructions Point 8.3)

11 Set/Reset button

- Press briefly: Displays the next sensor (sensor LED illuminates)
- Press for 10 s: Displays the software version (e.g. 0-00)

12 LED (yellow) Displays Ethernet transmission speed

- Off: 10 Mbps On: 100 Mbps

13 LED (green) Displays Ethernet data traffic

- Flashes during active data transmission

14 IP address slide switch

- Towards Ethernet jack: IP address 10.10.10.10
- Towards reset button: IP address User (set via webbrowser)

15 Webserver reset button

- Internal webserver restarts when pressed (duration ca. 1 minute)

5. Important Informations

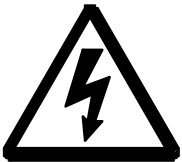
To use the equipment flawless and safe, transport and store properly, install and start professionally and operate as directed.

Only let persons work with the equipment who are familiar with installation, start and use and who have appropriate qualification corresponding to their function. They must observe the contents of the instructions manual, the information which are written on the equipment and the relevant security instructions for the setting up and the use of electrical units.

The equipments are built according to DIN / EN and checked and leave the plant according to security in perfect condition. To keep this condition, observe the security instructions with the headline „Attention“ written in the instructions manual. Ignoring of the security instructions may lead to death, physical injury or damage of the equipment itself and of other apparatus and equipment.

If, in any case the information in the instructions manual is not sufficient, please contact our company or the responsible representative.

Instead of the industrial norms and regulations written in this instructions manual valid for Europe, you must observe out of their geographical scope the valid and relevant regulations of the corresponding country.



ATTENTION

Dangerous electrical voltage!

May lead to electrical shock and burn.

Before beginning of work switch unit and equipment free of voltage.

Observe the maximum temperature permissible when installing in switching cabinet. Make sure sufficient space to other equipment or heat sources. If the cooling becomes more difficult e.g. through close proximity of apparatus with elevated surface temperature or hindrance of the cooling air, the tolerable environmental temperature is diminishing.



ATTENTION! Connection of sensors

The inputs 1T1, 1T2, 1T3 to 8T3 and RESET Y1, Y2 are not potentially separated from output RS485. Temperatur-sensors must have a sufficient insulation.

Only signals according to SELV (Safety Extra Low Voltage) may be connected.

The pluggable terminals of the measuring inputs have a special contact-material and may only be used for the connection of the sensors.

Attention! Universal power supply

The unit is equipped with an universal power supply, that is suitable for DC- and AC-voltages. Before connecting the unit to the current, make sure that the allowed scope of voltage of the control voltage U_s , written on the lateral type plate, corresponds to the supply voltage of the unit.



ATTENTION! When all relays are programmed in operation current mode (= pick up at alarm), a loss of the supply voltage or an instrument failure can remain unidentified.
When the relay is applied as control instrument, the operator must ensure, that this error is recognized by regular examinations.
We recommend to program and accordingly evaluate at least one relay in the closed-circuit current mode.

6. Installation

The unit can be installed as follows:

- Installation in switchgear cabinet on 35 mm mounting rail according to EN 60715
- With screws M4 for installation on walls or panel. (additional latch not included in delivery)
Connection according to connection plan or type plate.

7. Detailed description

- The TR 800 Web measures up to 8 connected sensors, displays the measured values and evaluates them.
- Configuration and operation are performed with a computer through a webbrowser
- A setting can be made for each sensor
 - Assignment limit <-> Alarm (as desired)
 - Alarm active / inactive
 - Limit for alarm on
 - Limit for alarm off
- For Relays K1 .. K4 (Alarm 1 .. Alarm 4) can be set individually
 - Response delay and switch-back delay
 - Relay on/off during alarm (operating or closed-circuit current)
 - Alarm during error (message about sensor errors and device errors)
 - Alarm locked, (To reset, press "SET" ≥ 2s or ext. reset Y1/Y2)
- Ethernet interface for
 - http and https (under http, port can be set and switched off)
 - UDP protocol to read out data (port adjustable)
 - Modbus protocol to read data
- RS485 interface for
 - standard Ziehl protocol to read data
 - Modbus RTU protocol to read data
- Via the webbrowser, the following functions are available
 - Display measurement, min and max values with date/timestamp
 - Sensor simulation for simulating individual sensors
 - Alarm status display
 - Sensor configuration (name, type, compensation, scale and unit)
 - Alarm configuration (limits, operating/no-load current, alarm during error, alarm locked, response /switch-back delay and email)
 - Time-controlled day/night limits switchover
 - Data logging, alarm logging and parameter logging with date/timestamp
 - Network configuration
 - System settings
 - User management

8. Start-up operation (commissioning)

8.1 General instructions on operating

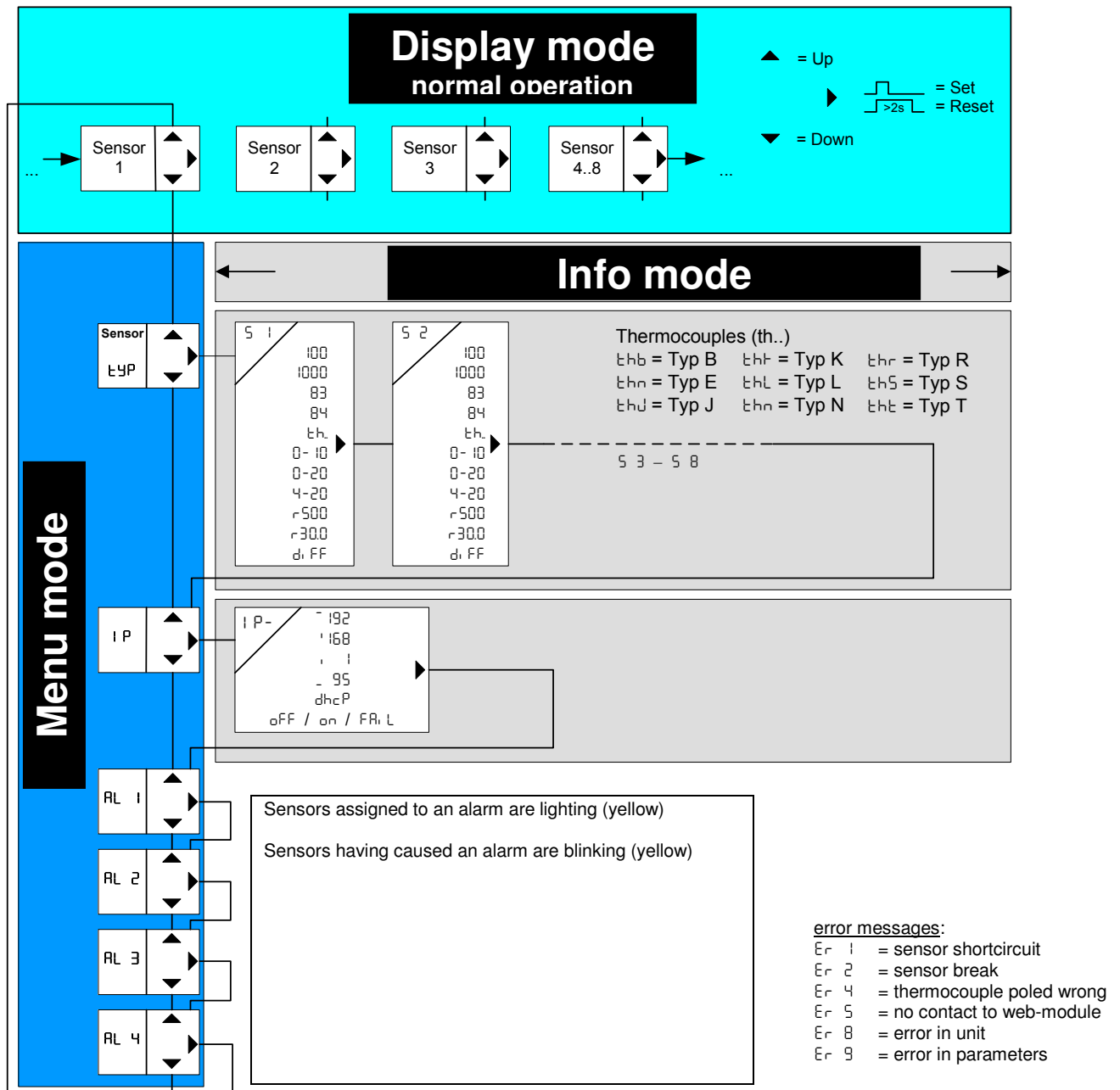
One can identify the device operating mode with the decimal point behind the last 7-segment display.

8.2 Display mode		Decimal point off (normal state for measurement display)
		Displays the current sensor value (related yellow sensor LED illuminated, change to next sensor by pressing Set -> button)
LED yellow RS485 Rx / Tx		Flashes during data communication via RS485 interface
LED yellow Day / Night		ON = Limits for "Night" are active OFF = Limits for "Day" are active
LED yellow Relay K1 .. K4		ON = Relay operating OFF = Relay is released
LED red Alarm 1 .. 4		Flashes 1:4 = Response delay is active Flashes 4:1 = switch-back delay is active Flashes 1:1 = Ready for switch back, reset with press "SET/RESET" button $\geq 2s$ or close ext. Reset Y1/Y2 On = Alarm on OFF = Alarm off
LED yellow Sensor 1 .. 8		ON = Measurement of selected sensors in the display. Flashes = Error in sensor circuit
LED red Sensor error		On = Fault in a sensor circuit (Defective, yellow sensor LED flashes)
Function key Set/Reset		Press briefly: Displays the next sensor (sensor LED illuminates) Press for 10 s: displays the software version
Function keys Up and Down		Press briefly: Change into the menus mode

8.3 Menu mode		Decimal point on
		Select the menu items to view the parameters
Function keys Up and Down		Press briefly: Select menu item; change into the display mode
Function keys Set/Reset		Press briefly: Change into the configuration mode

8.4 Info mode		Decimal point flashes
Function keys Up and Down		Not in use
Function keys Set/Reset		Select next parameter; after the last parameter change into menu mode

8.5 Short operating diagram



thP	type of sensor	d: FF	difference
5 1 ... 5 8	sensors 1 to 8	IP	IP- address
nc	not connected	IP-	IP- address
100	type Pt 100	192	1 digit of IP- address
1000	type Pt 1000	' 168	2 digit of IP- address
83	KTY 83	,	3 digit of IP- address
84	KTY 84	_ 95	4 digit of IP- address
th..	thermocouples	dhcP	DHCP
0-10	voltage input 0-10 V	oFF	DHCP off
0-20	current input 0-20 mA	on	DHCP on
4-20	current input 4-20 mA	FR, L	DHCP missed
r500	resistance 500 Ohm	AL 1 ... AL 4	alarms 1 to 4
r300	resistance 30 K Ohm	boot	webserver starts

8.6 Overview of commissioning

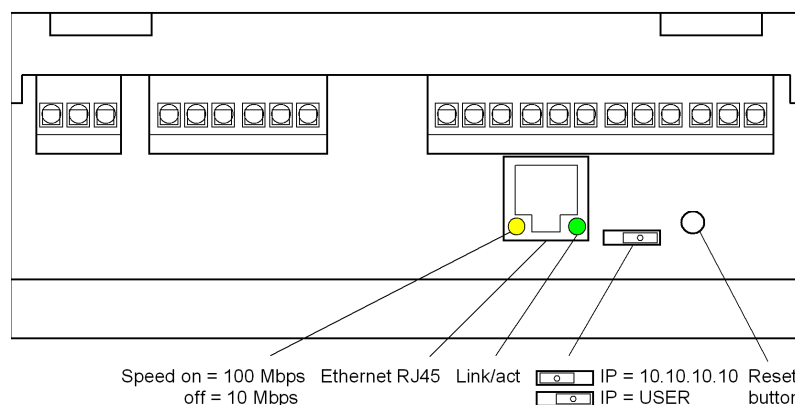
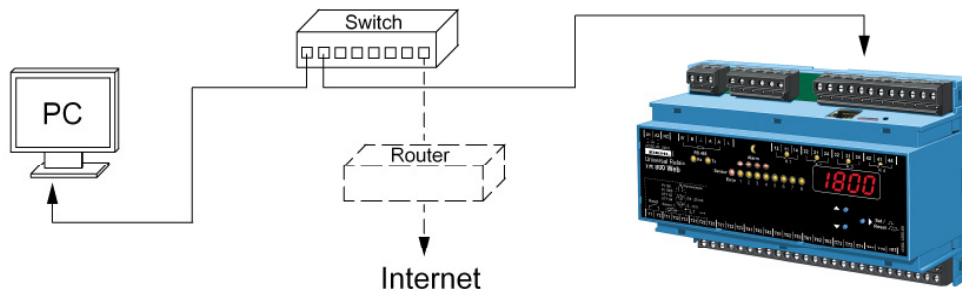
Must	Can	Overview
X		8.7 Switch on the unit
X		8.8 Connection to network and controls
X		8.9 Find the unit in the network 8.9.1 DHCP server 8.9.2 Default IP address 10.10.10.10 8.9.3 Bonjour 8.9.4 UPnP
X		8.10 Make the basic network settings
X		8.11 Sensor settings
	X	8.13 Configure the alarms
	X	8.13 Alarm email
	X	8.14 System
	X	8.15 User management/access control
	X	8.16 Logging
	X	8.17 View measurements and alarms, sensor simulation

8.7 Switching on the unit

Apply supply voltage to terminals A1 and A2,

- ⇒ Ca. 2s long, all LEDs and the digital display illuminate (**8.8.8.8.**)
- ⇒ The TR 800 Web is now ready to operate
- ⇒ In the digital display, **boot** flashes (alternating with sensor value), the integrated webserver starts (duration ca. 1-2 minutes). After **boot** extinguishes, the unit can be addressed via its interfaces.

8.8 Connection to network and controls



8.9 Find the unit in the network

Prerequisite: Webbrowser Internet Explorer 7 or Firefox 3 (tested).

The TR 800 Web provides four facilities to find itself in the network:

8.9.1 DHCP server
In the network, there is a DHCP server; newly added units automatically are assigned an IP address
Query of the IP address in the unit ⇒ Press the DOWN button 2x, then the SET button ⇒ IP address appears in the digital display ⇒ Status of DHCP query is displayed (oFF / oN / FRIL)
Start webbrowser and enter the IP address in the address line [Return] ⇒ The TR 800 Web homepage opens in the webbrowser ⇒ Close the login window with the OK button (without user name and without password)
If the network logon fails via DHCP, a network configuration will be performed based on zeroconf (IP = 169.254.x.x).

8.9.2 Default IP- Adress 10.10.10.10
! Use this setting for configuration only. Push slide switch to IP 10.10.10.10 (sketch Point 8.8) ⇒ Requires a reboot of webserver (press RESET button), in the digital display boot flashes (start duration ca. 1 min) User management is deactivated, http-Port = 80 und https-Port = 443
<u>Note:</u> The following actions can only be performed with administrator rights. Enter this command into your PC in the input prompt (command line): <pre>route add 10.10.10.10 xxx.xxx.xxx.xxx (xxx.xxx.xxx.xxx= IP address of PC) ⇒ Route for the TR 800 Web ping 10.10.10.10 ⇒ Connection test ⇒ TR 800 Web replies Reply from 10.10.10.10: Bytes=32 Time=3ms TTL=32 Reply from 10.10.10.10: Bytes=32 Time=1ms TTL=32 Ping statistic for 10.10.10.10: Package: Sent = 4, Received = 4, Lost = 0 (0% loss), ⇒ Connection okay</pre>
Start webbrowser and enter the IP address (10.10.10.10) in the address line [Return] ⇒ The TR 800 Web homepage opens in the webbrowser ⇒ Close the login window with the OK button (without user name and without password) ⇒ Make the basic network settings ⇒ Push the slide switch to IP USER (sketch Point 8.8) ⇒ Requires a reboot of webserver (press RESET button), in the digital display boot flashes (start duration ca. 1-2 minutes)
<u>Note:</u> The settings made in the webbrowser under "Network" are only effective after the slide switch is switched to IP User and the unit has been rebooted (press RESET button).

8.9.3 Bonjour

Plugin for Internet Explorer (www.apple.com/bonjour)
Optional in the Safari browser (switch on)
Note: not available if the http port has been switched off.

Windows: Download the plugin for Internet Explorer from the Internet and install it
Mac OS X: Bonjour is integrated in the system (Safari browser)
Linux: Bonjour not available
Start browser and let TR 800 Web search with Bonjour.

Double click on the device found
⇒ The TR 800 Web homepage opens in the webbrowser
⇒ Close the login window with the OK button (without user name and without password)

8.9.4 UPnP

Available for Windows starting from Win XP
Note: not available if the http port has been switched off

Start network browser (network environment),
("Symbols for show Network UPnP devices" must be active)

Double click on the device found
⇒ The TR 800 Web homepage opens in the webbrowser
⇒ Close the login window with the OK button (without user name and without password)

8.9.5 Information about the login window

Closing the login window (click on OK button) is delayed a couple of seconds as data still needs to be transmitted in the background.

If the user admin/access control is inactive (default) the user name and password do not have to be entered.

The user management/access control is always deactivated if the slide switch is set to IP=10.10.10.10 (see Points 8.8 and 8.9.2).

If the user admin/access control is active (see Point 8.15), the user name and password must be entered.

Entry is case-sensitive.

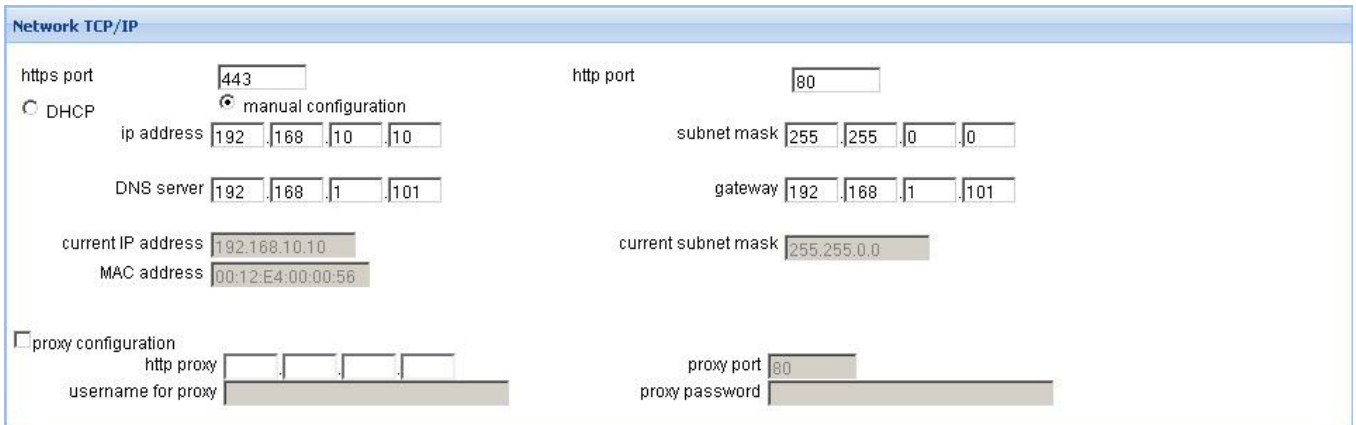
Guest access (if activated, see Point 8.15) is made by logging in without any user name and password. Guests can only view the "Measurements" and "Sensors" web pages. It is not possible to change the parameters.

8.10 Make the basic network settings

Select "Network" in the webbrowser menu



! To assume the settings unchanged, press the "Save" button.
The button becomes active after exiting an unchanged input box.

A screenshot of a web interface titled 'Network TCP/IP'. It contains several input fields and checkboxes. On the left, there are fields for 'https port' (443), 'ip address' (192.168.10.10), 'DNS server' (192.168.1.101), 'current IP address' (192.168.10.10), and 'MAC address' (00:12:E4:00:00:56). On the right, there are fields for 'http port' (80), 'subnet mask' (255.255.0.0), 'gateway' (192.168.1.101), and 'current subnet mask' (255.255.0.0). At the bottom, there is a 'proxy configuration' section with checkboxes for 'http proxy', 'username for proxy', 'proxy port' (80), and 'proxy password'. The 'DHCP' radio button is unselected, and 'manual configuration' is selected.

Network TCP/IP:

You can enter the desired network parameters here.

Ask your network administrator if necessary.

Note: Switch off http with http-Port = 0.

UDP settings:

The device provides a facility to download data via the UDP protocol.

The related UDP port can be changed here.

RS485 interface:

If the device is operated on a RS485 interface, the parameters and the protocol can be selected here

Email settings:

The TR 800 Web provides a facility for sending an email if the alarm state changes.

Enter the access data into the corresponding boxes.

8.11 Sensor settings

Select "Sensors" in the webbrowser menu



! To assume the settings unchanged, press the "Save" button.
The button becomes active after exiting an unchanged input box.

Make the settings for the connected sensor types here. A name can be assigned for each sensor for clear identification.

Sensor Configuration									
No.	Sensor- Name	current value	Sensor Type	Cable Compensation	Scaling				Unit
					ein	zero point	fullscale	Dec. point	
1.	Temperature outside	26.7 °C	Pt 100	3-Conductor	<input type="checkbox"/>	0	1000	xxxx	° C
2.	Temperature room	26.3 °C	Thermo K	3-Conductor	<input type="checkbox"/>	0	1000	xxxx	° C
3.	Temperature winding L1	60.7 °C	Pt 100	0.0 Ω	<input type="checkbox"/>	0	1000	xxxx	° C
4.	Temperature winding L2	66.7 °C	Pt 100	0.0 Ω	<input type="checkbox"/>	0	1000	xxxx	° C
5.	Temperature winding L3	61.6 °C	Pt 100	0.0 Ω	<input type="checkbox"/>	0	1000	xxxx	° C
6.	Humidity	51.0 V	0..10 V	3-Conductor	<input checked="" type="checkbox"/>	0	720	xxx.x	V
7.	Sensor 7	42.4 V	0..10 V	3-Conductor	<input checked="" type="checkbox"/>	0	800	xxx.x	V
8.	Sensor 8	27.4 °C	KTY 84	3-Conductor	<input checked="" type="checkbox"/>	0	800	xxx.x	° C

Box	Description
Sensor name	State a name for sensors 1 - 8
Current value	Display the measurement with the unit
Sensor type	Select the sensor type
Cable compensation	<u>only with Pt100 / Pt1000:</u> Select "3-conductor" or choose a total line resistance for 2-conductors
Scaling on Zero-point Full scale Dec. point	Scaling for temperature sensors not available. Zero-point scaling Fullscale scaling Decimal point scaling
Unit	°C, °F, V, mA, Ω, kΩ, % and a freely-definable unit (box can be edited). °C and °F are available for temperature sensors.

8.12 Configuring the alarms

! To assume the settings unchanged, press the "Save" button.
The button becomes active after exiting an unchanged input box.

Alarm Configuration

Day Night **now active: Day**

alarm name	Alarm 1 / Relais K1	Alarm 2 / Relais K2	Alarm 3 / Relais K3	Alarm 4 / Relais K4
Vorwarnung	Abschaltung	Lüfter	Frostschutz	
delay [s]	on: 0 off: 0	on: 0 off: 0	on: 0 off: 0	on: 0 off: 0
relais on alarm	on: <input type="radio"/> off: <input checked="" type="radio"/>	on: <input type="radio"/> off: <input checked="" type="radio"/>	on: <input checked="" type="radio"/> off: <input type="radio"/>	on: <input checked="" type="radio"/> off: <input type="radio"/>
relais on error	on: <input type="radio"/> off: <input checked="" type="radio"/>	on: <input type="radio"/> off: <input checked="" type="radio"/>	on: <input type="radio"/> off: <input checked="" type="radio"/>	on: <input checked="" type="radio"/> off: <input type="radio"/>
alarm locked	on: <input type="radio"/> off: <input checked="" type="radio"/>	on: <input type="radio"/> off: <input checked="" type="radio"/>	on: <input type="radio"/> off: <input checked="" type="radio"/>	on: <input type="radio"/> off: <input checked="" type="radio"/>
sensor no.	active Alarm ON Alarm OFF	active Alarm ON Alarm OFF	active Alarm ON Alarm OFF	active Alarm ON Alarm OFF
1.	<input checked="" type="checkbox"/> 30.0 <input type="radio"/> 29.0	<input checked="" type="checkbox"/> 60.0 <input type="radio"/> 59.0	<input checked="" type="checkbox"/> 80.0 <input type="radio"/> 79.0	<input type="checkbox"/> 3.0 <input type="radio"/> 5.0
2.	<input type="checkbox"/> 10.0 <input type="radio"/> 20.0	<input type="checkbox"/> 12.2 <input type="radio"/> 12.3	<input type="checkbox"/> 13.3 <input type="radio"/> 13.4	<input type="checkbox"/> 14.4 <input type="radio"/> 14.5
3.	<input type="checkbox"/> 65.0 <input type="radio"/> 60.0	<input type="checkbox"/> 80.0 <input type="radio"/> 70.0	<input type="checkbox"/> 68.0 <input type="radio"/> 67.0	<input type="checkbox"/> 14.4 <input type="radio"/> 14.5
4.	<input checked="" type="checkbox"/> 18.0 <input type="radio"/> 19.0	<input type="checkbox"/> 80.0 <input type="radio"/> 70.0	<input type="checkbox"/> 68.0 <input type="radio"/> 67.0	<input type="checkbox"/> 14.4 <input type="radio"/> 14.5
5.	<input type="checkbox"/> 65.0 <input type="radio"/> 60.0	<input type="checkbox"/> 80.0 <input type="radio"/> 70.0	<input type="checkbox"/> 68.0 <input type="radio"/> 67.0	<input type="checkbox"/> 14.4 <input type="radio"/> 14.5
6.	<input type="checkbox"/> 10.0 <input type="radio"/> 20.0	<input type="checkbox"/> 12.2 <input type="radio"/> 12.3	<input type="checkbox"/> 13.3 <input type="radio"/> 13.4	<input type="checkbox"/> 14.4 <input type="radio"/> 14.5
7.	<input checked="" type="checkbox"/> 30.0 <input checked="" type="radio"/> 20.0	<input checked="" type="checkbox"/> 40.0 <input checked="" type="radio"/> 35.0	<input checked="" type="checkbox"/> 55.0 <input checked="" type="radio"/> 50.0	<input checked="" type="checkbox"/> 70.0 <input type="radio"/> 65.0
8.	<input type="checkbox"/> 10.0 <input type="radio"/> 20.0	<input type="checkbox"/> 12.2 <input type="radio"/> 12.3	<input type="checkbox"/> 13.3 <input type="radio"/> 13.4	<input checked="" type="checkbox"/> 10.0 <input type="radio"/> 12.0

noAlarm
 Delay Alarm On
 Alarm
 Delay Alarm Off
 L Locked Alarm

Box	Description
Day / Night	Switch the display of the alarm values for day / night operation. Definition of the switchover times in the "Time control" menu Attention: Only affects the values of "Alarm ON" and "Alarm OFF"
Alarm name	State a name for the respective alarm
Delay	on: Time (in s) during which an alarm is suppressed: off: Backshift (in s) after an alarm
Relay on alarm	on: The relay picks up during an alarm off: The relay releases during an alarm
Alarm on error	on: This alarm is triggered during a sensor error / device error off: This alarm is not triggered during a sensor error / device error
Alarm locked	on: An alarm occurring one time will not be automatically reset. Only pressing reset (close "SET/RESET" button $\geq 2s$ or ext. Y1/Y2 reset) resets the alarm. off: Alarm not locked
Sensor no.	active: Switches the alarm for this sensor on/off
	Alarm on: Value at which the device triggers an alarm
	Alarm off: Value at which the device resets an alarm

Definition of alarm values:

Value in box		Value in box	Alarm state
Alarm on	>	Alarm off	Alarm if: Measurement value > Alarm on Alarm off if: Measurement value < Alarm off
Alarm on	<	Alarm off	Alarm if: Measurement value < Alarm on Alarm off if: Measurement value > Alarm off

8.13 Alarm email

! To assume the settings unchanged, press the "Save" button.
The button becomes active after exiting an unchanged input box.

In addition to an alarm message on Relay K1-K4, an email can also automatically be sent.

Box	Description
Dropdown list	Selects for which alarm (1-4) an email will be sent
Email "Alarm ON"	Email will be sent if an alarm occurs
Email "Alarm OFF"	Email will be sent if an alarm expires
Recipient	Enter email addresses (separated with a semicolon) or press "Add" button and select the addresses from the list (emails of the addresses entered in the [Users] menu)
Subject	Optional subject text
Text	Optional instructions text

8.14 System

! To assume the settings unchanged, press the "Save" button.
The button becomes active after exiting an unchanged input box.

The device name appears in the uppermost line of the website after saving.

Time and Date

Use Timeserver: 192.168.3.1

last update: 2009-Apr-15 12:47:39 query interval: 86400 s

use MEZ/MESZ difference hours [h]: 2

2009-Apr-16 13:59:35 dd.mm.yyyy 01 : 01 : 2008 hh:mm:ss 00 : 00 : 00

The TR 800 Web has a realtime clock that can be synchronized with a "Timeserver" (NTP protocol, uses UDP Port 123). The server, router, proxy ... connected to the network usually provides such a function. Timeservers from the Internet can also be used (e.g. ptbtime1.ptb.de). Ask your network administrator if necessary. Alternatively, the system time can be manually set and transferred with the "Update TR 800 system time".

Save / Load Device Configuration

date	User	Comment
2009-04-01 13:20:38	Admin	Benutzermenü
2009-04-01 13:16:30	---	Benutzermenü
2009-04-01 12:58:32	---	Protokollierungsmenü
2009-04-01 12:50:16	---	Protokollierungsmenü
2009-04-01 12:49:33	---	Protokollierungsmenü
2009-04-01 12:49:26	---	Protokollierungsmenü
2009-04-01 12:47:49	---	Protokollierungsmenü

Durchsuchen... [display config as XML](#) [download config file](#)

Function	Description
Save device settings	Every change in the device can be taken over with the [Save] button; a new configuration point is automatically added. It is saved with the date, time and the user. A comment can be added to these points.
Save device settings on a PC	Activate the desired configuration ⇒ Click the link Download config. file ⇒ The file is downloaded to the PC
Copy device settings from PC to TR 800 Web	Press [Search ...] button. Choose the desired "Config. file" and press the [upload] button. ⇒ The config. file is uploaded and the configuration is taken over
Reactivate saved device settings	Activate the desired configuration ⇒ Press the [Reactivate] button ⇒ The saved configuration is taken over
Set factory settings	Press the [Set factory settings] button ⇒ The device configuration is set to the delivered condition

Using the functions "Save device settings to a PC" and "Transfer device settings from PC to TR 800 Web" you can very simply copy the device settings to multiple TR 800 Webs.

Firmware Version / Update

Firmware TR 800: 12280-1400-02 Firmware Web-Module: 1.0.2b [Logfile ...](#)

Firmware updates including the installation instructions can be downloaded from the www.ziehl.com website as needed.

8.15 User management/access control



! To assume the settings unchanged, press the "Save" button.
The button becomes active after exiting an unchanged input box.

The TR 800 Web has user management with access control. Stipulate the administrator, user and guest access here as required. If the user management is switched on (checkbox [active]), a password can be assigned to each user (and administrator). To do that, click on the [Change password] button. In the window that opens, enter the first and second lines for each desired password.

If the settings for the email account ("Network" menu) have been made, a test mail can be sent to each user.

Possibly occurring transmission errors are logged in the "Test mail log file".

8.16 Logging (see also: 9.4 FTP Upload)



! To assume the settings unchanged, press the "Save" button.
The button becomes active after exiting an unchanged input box.

Measurement data and alarms are automatically logged as specified. Data records of 1500 measurements and 500 alarm changes are logged in two ring buffers.

[Display measurements] button	The recorded measurement data and the alarm states can be viewed in a new window
[Display alarms] button	
[Delete measurements] button	The recorded data records measurement data / alarms are deleted.
[Delete alarms] button	
Download measurement data link	The logged data are downloaded as a csv file
Download alarms link	

Log description:

Measurement data log	Time specification, can be set with [Interval] selection box, every 10s (4h recording period), 30s (12h), 1min (25h), 5min (5 days), 10min (10 days), 30min (31 days), 1h (62 days), 2h (125 days), 5h (312 days), 10h (625 days), 12h (750 days), 24h (1500 days)
Alarm log	When there is a change in the alarm state
Content of the log files ⇒ Individual data records	Min/Max values with date/time ⇒ Date/time; Measurement values sensors 1-8; Alarm values 1-4 (sum of the sensors that triggered the alarm S1=1, S2=2...S8=128); Error number (device error)

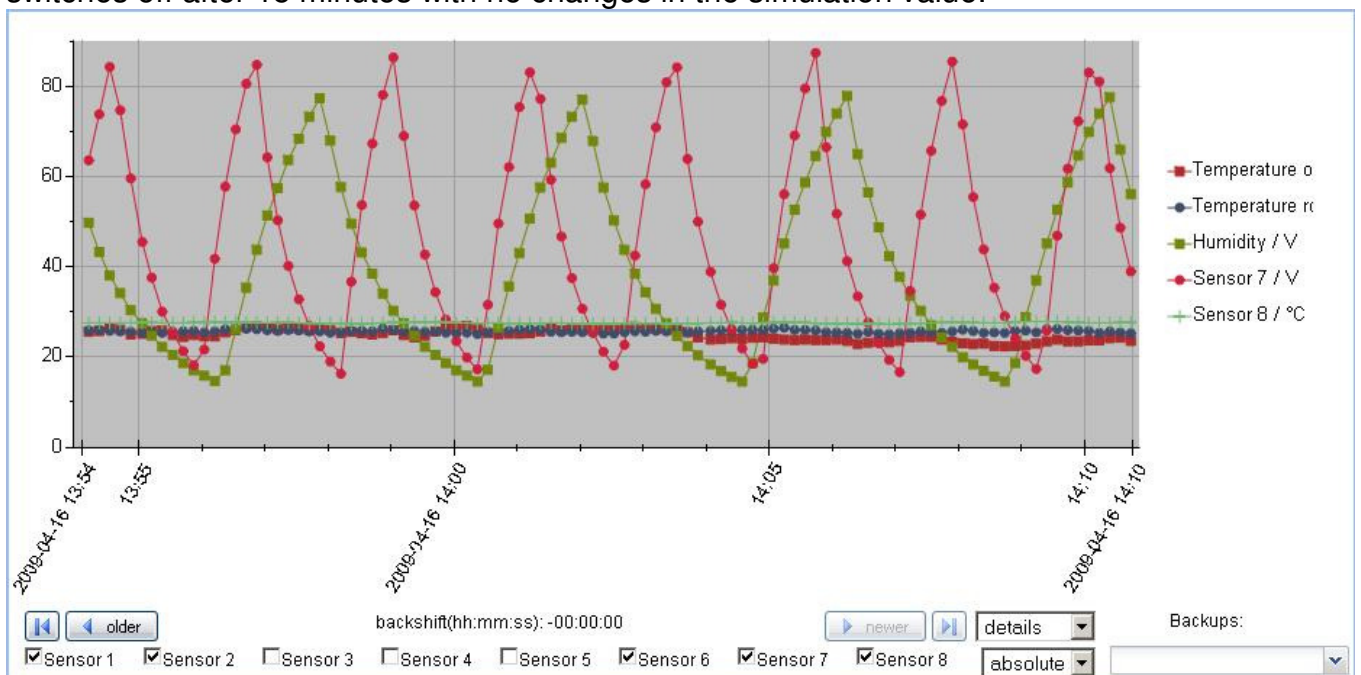
8.17 View measurements and alarms, sensor simulation

Data								
Sensors	Data	Unit	Min.-Value	Max.-Value	Alarm			
					1	2	3	4
1. Temperature outside	23.3	°C	-31.3	42.9	<input type="radio"/>	<input type="radio"/>	<input type="radio"/>	<input type="radio"/>
			2009-Apr-09 09:39:40	2009-Apr-15 09:44:28				
2. Temperature room	25.9	°C	-23.4	33.5	<input type="radio"/>	<input type="radio"/>	<input type="radio"/>	<input type="radio"/>
			2009-Apr-09 09:39:50	2009-Apr-15 16:14:50				
3. Temperature winding L1	60.5	°C	16.7	62.1	<input type="radio"/>	<input type="radio"/>	<input type="radio"/>	<input type="radio"/>
			2009-Apr-09 09:39:40	2009-Apr-08 08:08:38				
4. Temperature winding L2	66.8	°C	21.9	67.6	<input type="radio"/>	<input type="radio"/>	<input type="radio"/>	<input type="radio"/>
			2009-Apr-09 09:39:40	2009-Apr-07 13:48:18				
5. Temperature winding L3	61.6	°C	61.4	61.8	<input type="radio"/>	<input type="radio"/>	<input type="radio"/>	<input type="radio"/>
			2009-Apr-15 11:58:25	2009-Apr-07 13:48:18				
6. Humidity	41.4	V	0.0	84.0	<input type="radio"/>	<input type="radio"/>	<input type="radio"/>	<input type="radio"/>
			2009-Apr-09 09:40:16	2009-Apr-07 13:20:36				
7. Sensor 7	19.0	V	0.0	88.2	<input type="radio"/>	<input type="radio"/>	<input type="radio"/>	<input type="radio"/>
			2009-Apr-09 11:32:26	2009-Apr-11 16:38:46				
8. Sensor 8	27.8	°C	0.0	40.0	<input type="radio"/>	<input type="radio"/>	<input type="radio"/>	<input type="radio"/>
			2009-Apr-09 09:39:32	2009-Apr-11 15:59:42				

Sensorsimulation

NoAlarm
 Delay Alarm On
 Alarm
 Delay Alarm Off
 Locked Alarm

Here, all measurements can be clearly viewed with min./max. values plus the alarms. Using the sensor simulation, individual sensor values can be simulated. The simulation independently switches off after 15 minutes with no changes in the simulation value.



The progression of the measurements is displayed in a chart. Sensors can be flexibly displayed or hidden.

Checkbox details: 100 logged points (see Point 8.16) are displayed in the chart. Using the [<older] / [>more recent] buttons, one can navigate chronologically in both directions.

Complete checkbox: The entire logged area is shown in the chart (reduced to 100 points)

Absolute checkbox: Unit of the y-axis corresponds to the sensor metrics

Relative checkbox: Unit of y-axis: 0-100%

8.18 Time-dependent control / Scheduler



! To assume the settings unchanged, press the "Save" button.
The button becomes active after exiting an unchanged input box.

scheduler

active: day
 active: night
 active: scheduled

Date / Time: Thu 2009-Apr-16 14:12:29 **now active: Day**

		Night-Values							
active	Day	Start	Stop	Start	Stop	Start	Stop	Start	Stop
<input type="checkbox"/>	Sun	HH:MM	-	HH:MM	HH:MM	-	HH:MM	HH:MM	HH:MM
<input type="checkbox"/>	Mon	HH:MM	-	HH:MM	HH:MM	-	HH:MM	HH:MM	HH:MM
<input type="checkbox"/>	Tue	HH:MM	-	HH:MM	HH:MM	-	HH:MM	HH:MM	HH:MM
<input type="checkbox"/>	Wed	HH:MM	-	HH:MM	HH:MM	-	HH:MM	HH:MM	HH:MM
<input type="checkbox"/>	Thu	HH:MM	-	HH:MM	HH:MM	-	HH:MM	HH:MM	HH:MM
<input type="checkbox"/>	Fri	HH:MM	-	HH:MM	HH:MM	-	HH:MM	HH:MM	HH:MM
<input type="checkbox"/>	Sat	HH:MM	-	HH:MM	HH:MM	-	HH:MM	HH:MM	HH:MM

The time control specifies which alarm values (Day or night) are active at which time.

The following settings are available:

- Day value active (no time control; alarm day-values always apply)
- Night value active (no time control; alarm night-values always apply)
- Time controlled (the specified switchover times apply)

The times for the night values are entered into the table.

Up to four switchover times can be set for each day of the week. To activate these times, the "active" check box for the corresponding day needs to be set.

Example for switchover times:

Specification in the webbrowser

active	Day	Start	Stop	Start	Stop
<input checked="" type="checkbox"/>	Sun	00:00	-	06:00	22:00 - 00:00
<input checked="" type="checkbox"/>	Mon	00:00	-	07:30	21:30 - 00:00

Night values are active

Su	00:00 Uhr	-	Su.	06:00 Uhr
Su	22:00 Uhr	-	Mo.	07:30 Uhr
Mo	21:30 Uhr	-	Tu.	00:00 Uhr

9. Ethernet protocols

Along with the http and https protocols for the webbrowser, the TR 800 Web also supports two additional Ethernet protocols: UDP, Modbus and SNMP.

9.1 UDP

The interface parameter for the UDP protocol can be viewed and changed in the web user interface [Network / UDP settings].

A detailed description of the protocol can be found in the TR 800 Web online help section or can be downloaded via the Internet (www.ziehl.com).

9.2 Modbus TCP

The Modbus TCP protocol is available through TCP port 502.

A detailed description can be found in the TR 800 Web online help section or can be downloaded via the Internet (www.ziehl.com).

9.3 SNMP (Option)

The SNMP protocol makes measurements and configuration values available (read only).

A detailed description can be found in the TR 800 Web online help section or can be downloaded via the Internet (www.ziehl.com).

9.4 FTP Upload (Option)

Recorded measurements and alarm states can be time-controlled saved to an FTP server as a CSV file. Furthermore, it is possible to continuously transmit the current values or time controlled or event controlled (change in an alarm state).

Optimally, the previous data can be saved with a timestamp in the file names or the data is overwritten when updated.

10. RS485 interface

The RS485 interface supports two protocols: Ziehl Standard Protocol and Modbus RTU Protocol. Make the interface settings via the webbrowser, [Network / RS485 interface].

10.1 Ziehl Standard Protocol

A description can be found in the TR 800 Web online help section or can be downloaded via the Internet (www.ziehl.com).

10.2 Modbus RTU

A description can be found in the TR 800 Web online help section or can be downloaded via the Internet (www.ziehl.com).

11. Maintenance and Repair

ZIEHL industrie-elektronik GmbH + Co KG

Daimlerstr.13

D-74523 Schwäbisch Hall

Telefon: +49 791 504-0

Fax: +49 791 504-56

e-mail: info@ziehl.de

homepage: www.ziehl.com

12. Troubleshooting

boot appears in the digital display	
Cause	This is <u>not</u> an error. The internal webserver is starting up.
Remedy	After switching on the network, the internal webserver needs app. 1 min. until it starts. After that, the digital display extinguishes. After performing a software update, the webserver automatically reboots.
Er 5 appears in the digital display	
Cause	The internal webserver is not working correctly
Remedy	Do a reset; press the reset button on the unit (see Point 8.8) or switch off the unit and then back on. After max. 2 min, Er 5 and boot should no longer be flashing in the display.
Er 1 or Er 2 appears in the digital display	
Cause	Sensor short-circuit or sensor interruption on the TR 800 Web
Remedy	Check sensor on the TR 800 Web to see if it is electrically okay and is correctly connected.
Er 4 appears in the digital display	
Cause	A connected thermocouple is connected the wrong way around
Remedy	Check the thermocouple and connect it correctly if applicable
Er 8 appears in the digital display	
Cause	Internal device error
Remedy	Switch unit off and back on. If the error message continues to appear, the unit must be returned to the factory for repair
LED Rx and Tx constantly flash	
Cause	The unit is momentarily performing a software update
Remedy	A software update can take up to 5 min. After that, the LEDs automatically go out. If the LEDs continue to flash, an error occurred during the software update. ⇒ Switch off the unit and back on. The LEDs must go out
Displayed temperature does not match the sensor temperature	
Cause	<ul style="list-style-type: none"> ○ False measuring-unit was set ○ Error in the scaling
Remedy	Check the settings in the web user interface in [Sensors – Sensor Settings]
User name/password not known	
Remedy	See 8.9.2 Set default IP address 10.10.10.10 User management is deactivated, http-Port = 80 and https-Port = 443
Login window cannot be closed	
Remedy	Close the browser window and then reopen it

13. Technical Data

Rated supply voltage U_s	AC/DC 24 – 240 V	0/45-120 Hz	< 4 W	< 8 VA
Toleranz	DC 20,4 - 297 V	AC 20 - 264 V		
Relay output	4 x 1 Wechsler (CO)			
Switching voltage	max. AC 415 V			
Switching current	max. 5 A			
Switching capacity	max. 2000 VA (ohmic load)			
	max. 120 W bei DC 24 V			
Reduction factor for $\cos\varphi = 0,7$	0,5			
UL electrical ratings:	250 V ac, 3 A, general use			
	240 V ac, 1/4 hp, 2.9 FLA			
	120 V ac, 1/10 hp, 3.0 FLA			
	C 300			
	D300 1 A 240 VAC			
Nominal operational current I_e				
AC15	$I_e = 3 A$ $U_e = 250 V$			
DC13	$I_e = 2 A$ $U_e = 24 V$			
	$I_e = 0,2 A$ $U_e = 125 V$			
	$I_e = 0,1 A$ $U_e = 250 V$			
Recommended fuses for contact	T 3,15 A (gL)			
Expected contact life mechanical	3×10^7 operations			
Expected contact life electrical	1×10^5 operations at AC 250 V / 6 A			
Test conditions	EN 61010-1			
Rated impulse voltage	4000 V			
Contamination level	2			
Rated insulation voltage U_i	300 V			
On-time	100 %			
rated ambient temperature range	-20 °C ... +65 °C			
	EN 60068-2-2 dry heat			
Vibration resistance EN 60068-2-6	2...25 Hz $\pm 1,6$ mm			
	25 ... 150 Hz 5 g			
Galvanic insulation (test voltage)	ethernet – sensors	DC 750 V		
	U_s – relays, sensors, ethernet	DC 3820 V		
	relays – sensors, ethernet	DC 3820 V		
	sensors – relays	DC 3820 V		
No galvanic insulation	RS485 – sensors – Reset-inputY1/Y2			
EMC-tests	EN 61326-1			
emitted interference	EN 61000-6-3			
Burst	EN 61000-4-4 +/-4 kV			
	Pulse 5/50 ns, f = 5 kHz, t = 15 ms, T = 300 ms			
SURGE	IEC 61000-4-5 +/-1 kV			
	Impulse 1,2/50 μ s (8/20 μ s)			
discharge of static electricity	IEC 61000-4-2 +/-4 kV contact,			
	+/- 8kV air			
Network-connection	10/100 MBit Auto-MDIX			
Max. number of connections	http/https = 5			
Real-time clock	time-reserve 7 days			

Sensor connection:

Measuring-cycle / time < 3 s

Pt 100, Pt 1000 according to EN 60751:

	Measuring range °C		Short-circuit Ohm	Break Ohm	Sensor resistance + line resistance Ohm
	min	max			
Sensor			<	>	max
Pt 100	-199	860	15	400	500
Pt 1000	-199	860	150	4000	4100
KTY 83	-55	175	150	4000	4100
KTY 84	-40	150	150	4000	4100

Tolerance $\pm 0,5$ % of measured value $\pm 0,5$ K (KTY ± 5 K)
 Sensor current $\leq 0,6$ mA
 Temperature drift $< 0,04$ °C/K

Thermocouples according to EN 60 584, DIN 43 710:

Typ	Measuring range °C		Precision
	min	Max	
B	0	1820	± 2 °C T > 300 °C
E	-270	1000	± 1 °C
J	-210	1200	± 1 °C
K	-200	1372	± 2 °C
L	-200	900	± 1 °C
N	-270	1300	± 2 °C
R	-50	1770	± 2 °C
S	-50	1770	± 2 °C
T	-270	400	± 1 °C

Temperature drift $< 0,01$ % / K
 Measuring error of the sensor wire $+0,25$ μ V / Ω
 Reference junction ± 5 °C

Voltage- / Current input

	Input resistance	Maximum Input signal	Precision (from FullScale)
0 – 10 V	12 k Ω	27 V	0,1 %
0/4-20 mA	18 Ω	100 mA	0,5 %

Temperature drift $< 0,02$ %/K

Measuring of resistance:

Precision 0,0 ... 500,0 Ω 0,2 % of measured value $\pm 0,5$ Ω
 Precision 0...30,00 k Ω 0,5 % of measured value ± 2 Ω
 Sensor-current $\leq 0,6$ mA

Housing

Dimensions (W x H x D)

Mounting height

Wire connection, one wire

Stranded wire with insulated ferrules

Torque of screw

Protection housing / terminals

Fitting position

Installation

Design V8, switchgear mounting

140 x 90 x 58 mm

55 mm

each 1 x 1,5 mm²

each 1 x 1,0 mm²

0,5 Nm (3,6 lb.in)

IP 30 / IP 20

any

Snap mounting on mounting rail 35 mm according to

EN 60 715 or with screws M 4

(2 additional bars, not included in delivery)

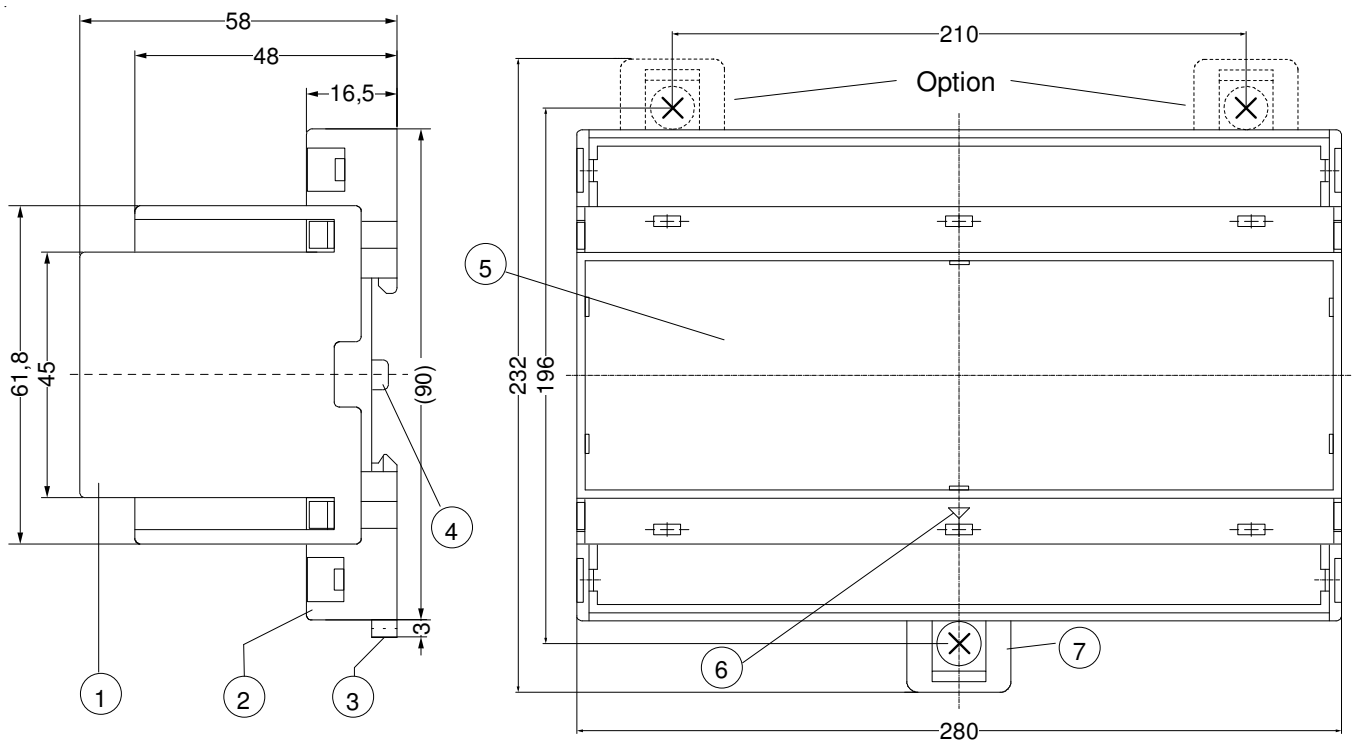
Weight

app. 370 g

Subject to technical changes

14. Housing design V8

Dimensions in mm



- 1 Oberteil / cover
- 2 Unterteil / base
- 3 Riegel / bar for snap mounting
- 4 Plombenlasche / latch for sealing
- 5 Frontplatteneinsatz / front panel
- 6 Kennzeichen für unten / position downward
- 7 Riegel bei Wandbefestigung mit Schrauben. Riegelbohrung \varnothing 4,2 mm / for fixing to wall with screws, \varnothing 4,2 mm.