

Modem recalls can be made from the substation via callback box together with a special modem in case events like tripping or a „device faulty“ indication is recorded. Two events can be recorded. The transmitter serially sends the information about the status at the binary inputs with telegrams to that substation modem, the result being that the transmission is protocol-safeguarded and the transmission route is permanently monitored at the same time. The bidirectional transmitter registers binary information at two binary inputs and forwards it via fibre-optic cable, with electrical isolation and devoid of interference, to a second transmitter, which outputs the signals via contacts. The two contacts can be used as trip contacts. Now an deposited telephone number is dialed by the substation modem and a user-defined text message is sent via telephone link, or by fax or terminal software program to the control PC. A event-controlled information from the substation is available there. A detailed clarifying can be made by DIGSI. Substations, which are equipped with relays of the centralized and remote control, can be re-tooled by a callback box and that special modem. These ISDN modems are EC certified. Analog modems are certified in Germany, Austria and Switzerland. The modems are suitable for international application. However, certifications of other countries are not available, so the modem must used inside the private telefon network of a utility.

Features of the callback box:

- Modem with independent substation battery power supply via DC/DC DIN rail power-supply unit (DC 24V to 250V to 24 V DC)
- Immediate notification in case of an event by fax or via terminal software program.
- 2 isolated binary inputs with high-level input voltage (Operation voltage of 17 V or 48 V is adjustable via DIP switches)
- 2 isolated trip relays with high-level switching capacity
- Faultless data transmission via fibre-optic cable to star coupler / Variable distance to star-coupler via multimode fibreoptic cable 62,5/125µm up to approx. 1.5 km
- Integrated wide-range power supply unit with selfmonitoring function and alarm relay inside the callback box.



Fig. 1: Callback box, Modem, Power supply

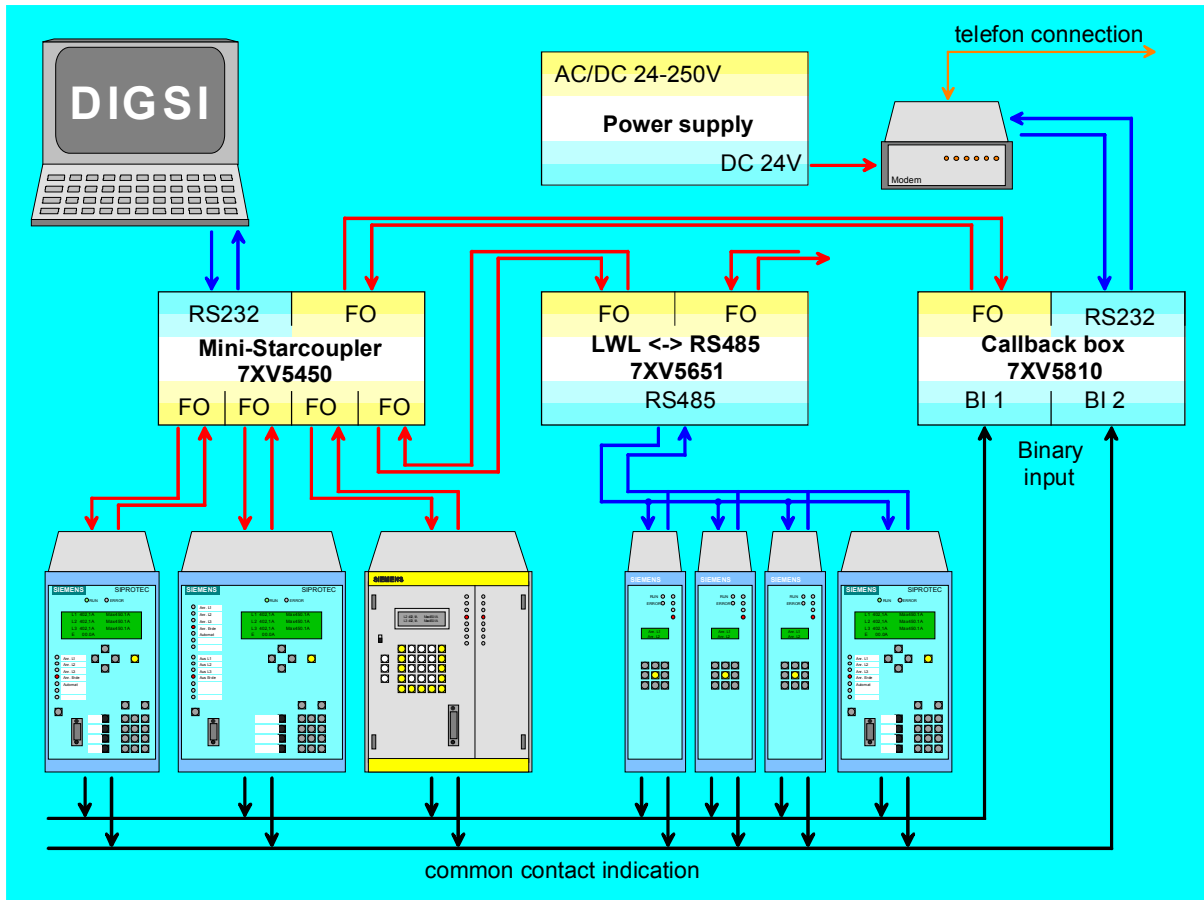
Technical Data: Callback box

Supply voltage:	DC 24V to 250V ±20% and AC 60V to 230 V ±20% without switchover
Current-Consumption:	approx. 0.15 to 0.25 A
LEDs:	6 LEDs: 1x green Operation voltage o.k 4x yellow contact unit 1/2 active and command relay 1/2 active 1x red Malfunction
Connectors:	Power supply 2-pole Phoenix screw-type terminal FO: 820 nm FSMA screw-type connector Binary inputs: 4-pole Phoenix screw-terminal Fault signal output 2-pole Phoenix screw-terminal
Controls:	8 DIP switches: contact unit operation voltage, usw.
Housing:	Plastic housing, EG45, charcoal grey, 45x75x105 mm (WxHxD) for snap mount on 35 mm DIN EN 50022 rail

Technical Data: Wide-range power supply unit:

Supply voltage:	DC 24V to 250V ±20% and AC 60V to 230 V ±20% without switchover
Housing:	Plastic housing, EG45, charcoal grey, 45x75x105 mm (WxHxD) for snap mount on 35 mm DIN EN 50022 rail

Application:



Selection and ordering data

Item	Order No.:
Modem / Callback box / Power supply	7 X V 5 8 1 0 -
Without modem	0
Modem 28,8 kBaud (desk-top unit) with AC 230V plug-in power supply unit	1
Modem ISDN (desk-top unit) with with AC 230V plug-in power supply unit	2
Modem 28,8 kBaud for DC 24V DIN rail to Callback box	5
Modem ISDN for DC 24V DIN rail to Callback box	6
Note: A callback to an analog modem is not possible with this option	
Without wide-range power supply	A
Wide-range power supply DC 24-250V / AC 110-230V to DC 24V / 6W	B
Wide-range power supply DC 24-250V / AC 110-230V to DC 5V / 3W	C
Without Callback box	A
2-channel Callback box with wide-range power supply for DIN rail	B
Without interface cable	0
Interface cable from modem to Callback box or 7XV5300, 7XV5450, 7XV5550, 7XV5652 (length 30cm)	1

Responsible for:
 Technical contents:
 Norbert Schuster, Klaus Müller,
 EV S V13, Siemens AG,
 Nürnberg
 Internet: www.SIPROTEC.com

Bereich:
 Energieübertragung und -verteilung
 Geschäftsgebiet Sekundärsysteme
 P.O. Box 48 06
 D-90026 Nürnberg

