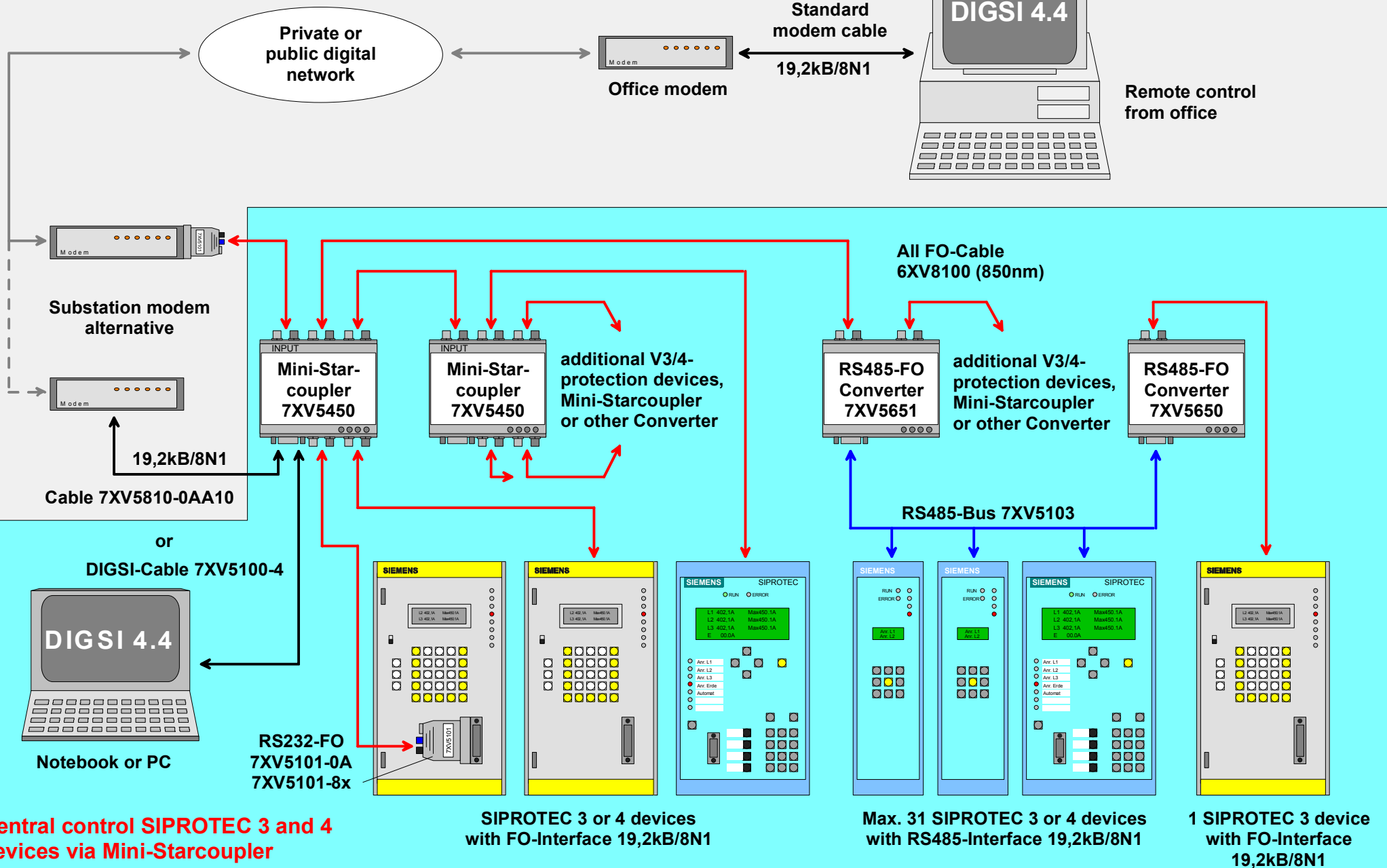


**Remote control SIPROTEC 3 and 4 devices via 28,8k- or 56k-modem and Mini-Starcoupler with DIGSI 4.4x**



**Central control SIPROTEC 3 and 4 devices via Mini-Starcoupler**