

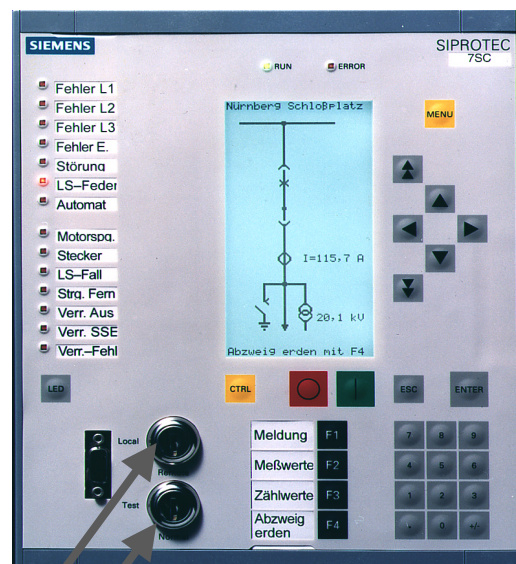
Indicating the switch key position

SIPROTEC 4 devices with large graphic display, e.g. 7SJ63 or 6MD63, also have 2 key switches for bypassing the interlocking and switching the control hierarchy between local and remote.

The first key (see picture 1) controls the switching authority (local/remote). Controls e.g. OPEN and CLOSING a CB or other switch gear elements may be interlocked via the switching authority. Thereby the plant item in question may only be controlled from the source defined by the switching authority. Local implies control only via the front keypad or binary inputs, whereby remote includes all controls via the system interface.

The second key has the positions TEST/NORMAL. In the TEST position executed controls bypass the interlocking conditions, i.e. the interlocks programmed in the CFC charts will not be effective. Therefor care must be taken that this switch is always in the normal mode unless interlocking conditions must deliberately be bypassed.

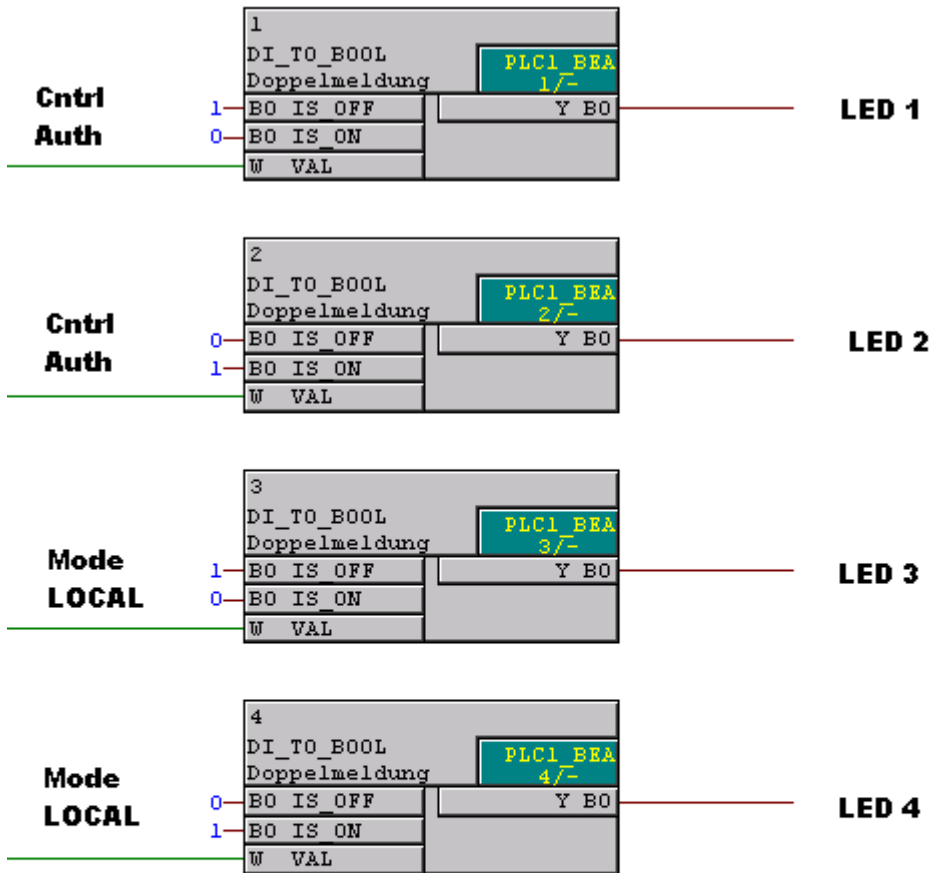
The function of these keys cannot be changed. The key position information is however available for other applications. In this document an example for the use of the key switch position information is described.



Switching LOCAL/ REMOTE key

Switching TEST / NORMAL key

Picture 1: protection device with large graphic display and key switches



Picture 3: double point annunciations segregated in the CFC chart