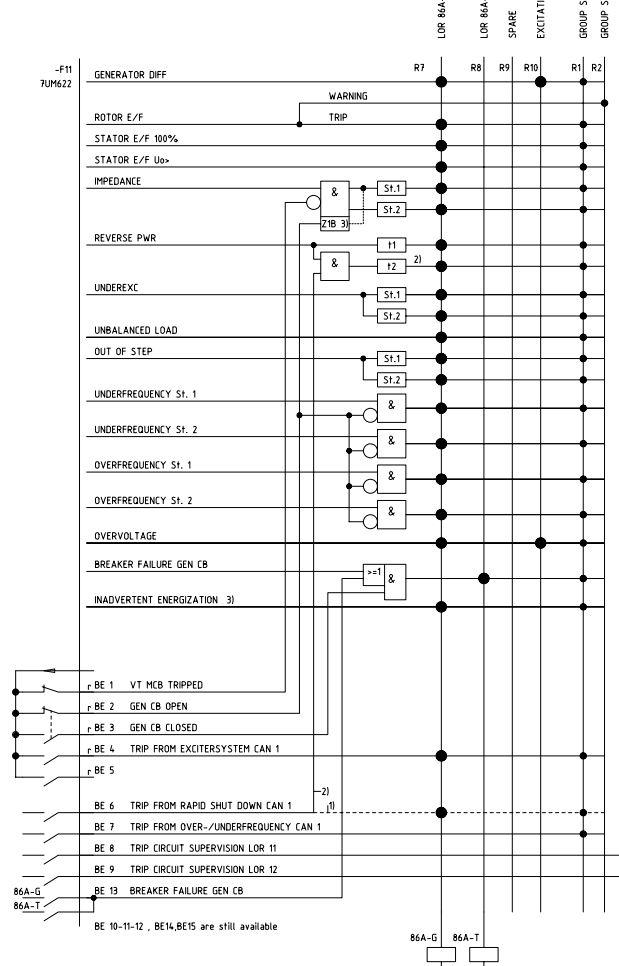
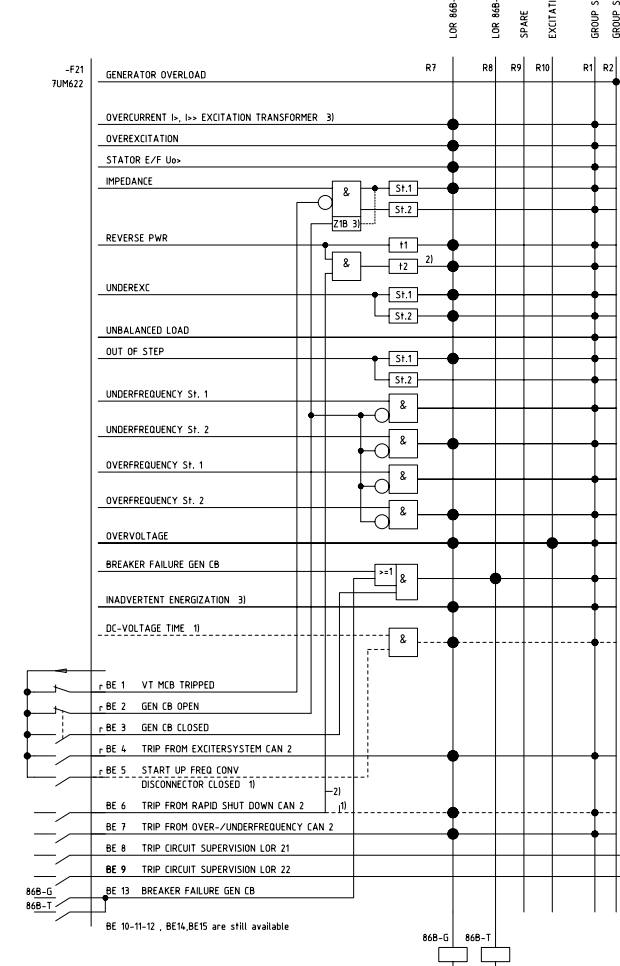


Protection System 1



Protection System 2



Relay	Function	Terminal
-F21 7UM622	OVERLOAD	49
-F21 7UM622	OVERCURRENT I_L-> EXC TRF	5150 3)
-F21 7UM622	OVEREXCITATION	24
-F21 7UM622	STATOR E/F U₀	59N
-F21 7UM622	IMPEDANCE	21
-F21 7UM622	REVERSE PWR	32R
-F21 7UM622	UNDEREXC	40
-F21 7UM622	UNBALANCED LOAD	46
-F21 7UM622	OUT OF STEP	78
-F21 7UM622	UNDERFREQUENCY S₁	81-1
-F21 7UM622	UNDERFREQUENCY S₂	81-2
-F21 7UM622	OVERFREQUENCY S₁	81-1
-F21 7UM622	OVERFREQUENCY S₂	81-2
-F21 7UM622	OVERVOLTAGE	59
-F21 7UM622	BREAKER FAILURE GEN CB	BF
-F21 7UM622	INADVERTENT ENERGIZATION	50/27 3)
-F21 7UM622	FUSE FAILURE	60FL 3)
-F21 7UM622	DC-VOLTAGE TIME	67G 1)

Relay	Function	Terminal
-F11 7UM622	GENERATOR DIFF	87G
-F11 7UM622	ROTOR E/F	64R
-F11 7UM622	STATOR E/F 100%	64G
-F11 7UM622	STATOR E/F U₀	59N
-F11 7UM622	IMPEDANCE	21
-F11 7UM622	REVERSE PWR	32R
-F11 7UM622	UNDEREXC	40
-F11 7UM622	UNBALANCED LOAD	46
-F11 7UM622	OUT OF STEP	78
-F11 7UM622	UNDERFREQUENCY S₁	81-1
-F11 7UM622	UNDERFREQUENCY S₂	81-2
-F11 7UM622	OVERFREQUENCY S₁	81-1
-F11 7UM622	OVERFREQUENCY S₂	81-2
-F11 7UM622	OVERVOLTAGE	59
-F11 7UM622	BREAKER FAILURE	BF
-F11 7UM622	INADVERTENT ENERGIZATION	50/27 3)
-F11 7UM622	FUSE FAILURE	60FL 3)

TRIP CIRCUITS 86A-G, 86B-G TRIP CIRCUITS 86A-T, 86B-T

GEN CB GEN CB
 SEE / SFC SEE / SFC
 RAPID SHUT DOWN RAPID SHUT DOWN
 HV CB HV CB
 U AUX CB 1 U AUX CB 1
 U AUX CB 2 U AUX CB 2
 AUX CHANGEOVER AUX CHANGEOVER

- Legende:
- 1) GT with SFC
 - 2) ST
 - 3) if required
 - 4) u like Gen CT [min: U(GT CT) / 8]
- r roofed

Large_Unit_3.pdf

SIPROTEC 4		7UM6		005	
ECONOPAC		Date 02-10-24		GENERATOR PROTECTION	
		Drawn Donhauser			
		Appr. N.Mueller			
		Norm. Dr. Herrmann			
		Siemens AG		Single line diagram	
		(1)E50414-L0...-S100		Sheet 1-	
		Orig./Repl.f./Repl.by		1 SH	
Rev.	Remarks	Date	Name		