

GSU 710/44.8

Double Sheet Testing Unit

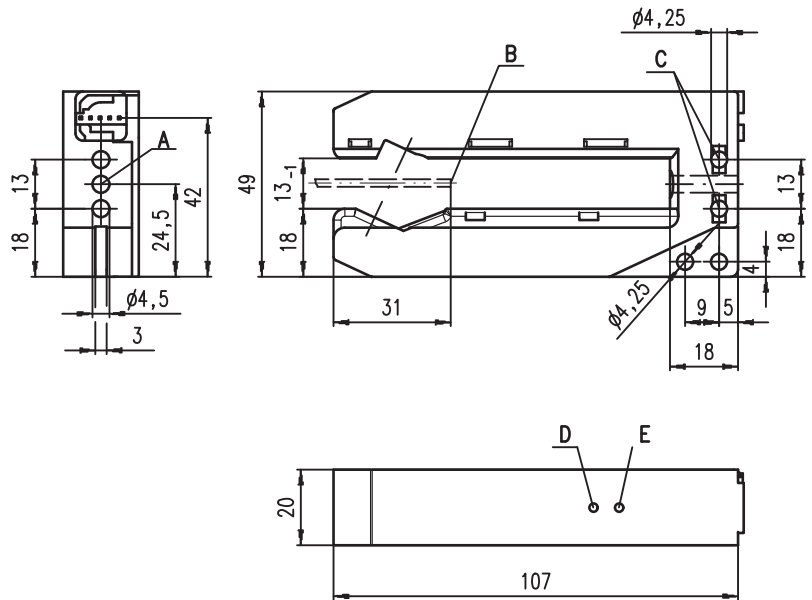
Dimensioned drawing

en 04-2011/08 50109307



18 - 30 V
DC

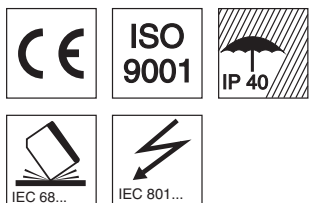
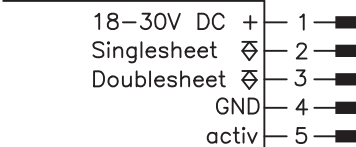
- Reliable detection of multi-layer paper and plastic sheets and metal foils
- Measurement range from 40g/m² paper to 350g/m² cardboard
- Plug connection
- PNP switching outputs
- Activation input



- A Through hole
- B Minimum intrusion depth of sheet edge
- C Inlay nut M4 possible
- D Red indicator diode
- E Yellow indicator diode

Electrical connection

GSU 710/44.8-MODU5



Accessories:

(available separately)

- Ready-made cable, 2m long (K-D MODU5-5P-2m-PVC, Part no. 50114946)

We reserve the right to make changes • DS_GSU_710_44_en.fm

Specifications

Physical data

Mouth width	13 mm
Mouth depth	89 mm
Minimum intrusion depth	31 mm
Converter frequency	approx. 330kHz

Timing

Switching frequency	200Hz
Response time	5ms
Delay before start-up	≤ 300ms acc. to IEC 60947-5-2

Electrical data

Operating voltage U_B	18 ... 30VDC (incl. residual ripple)
Residual ripple	≤ 15% of U_B
Open-circuit current	≤ 40mA
Switching outputs	2 PNP transistor outputs
Function characteristics	single sheet detected, or ≥ 1 sheet double sheet detected, or ≥ 2 sheets
Signal voltage high/low	≥ ($U_B - 2V$) / ≤ 2V
Output current	max. 100mA per output

Indicators

Yellow LED	single sheet detected
Red LED	double sheet detected

Mechanical data

Housing	plastic
Color	red
Weight	approx. 100g
Connection type	AMP-Modu, 5-pin

Environmental data

Ambient temp. (operation/storage)	0°C ... +50°C / -40°C ... +70°C
Protective circuit ¹⁾	1, 2, 3
VDE safety class	II, all-insulated
Protection class	IP 40
Standards applied	IEC 60947-5-2

Options

Activation input (activ)

Input resistance	R_{in} : 10kΩ
active/not active	≤ 2V or not connected / > 10V

1) 1=transient protection, 2=polarity reversal protection, 3=short circuit protection for all outputs

Mode of operation

The "singlesheet" output signals that an object is within the detection range.

A detected double sheet is signaled at the "double sheet" output.

The double sheet testing unit can be deactivated by applying a high signal to the activation input.

Order guide

Designation	Part No.
GSU 710/44.8-MODU5	501 08701

Remarks

- **Approved purpose:**
This product may only be used by qualified personnel and must only be used for the approved purpose. This sensor is not a safety sensor and is not to be used for the protection of persons.