



MA 21 100.2

Connector unit for BCL 22/BCL 32 and RFM ...



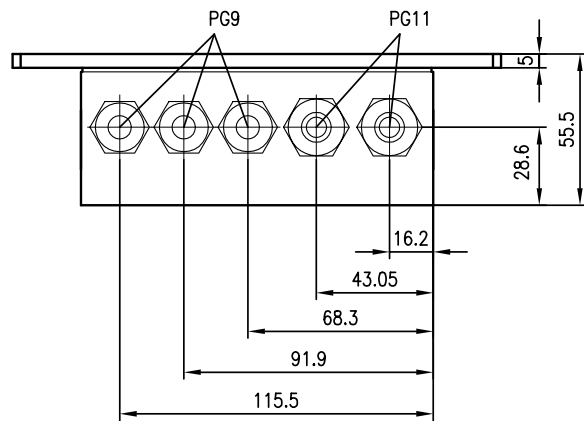
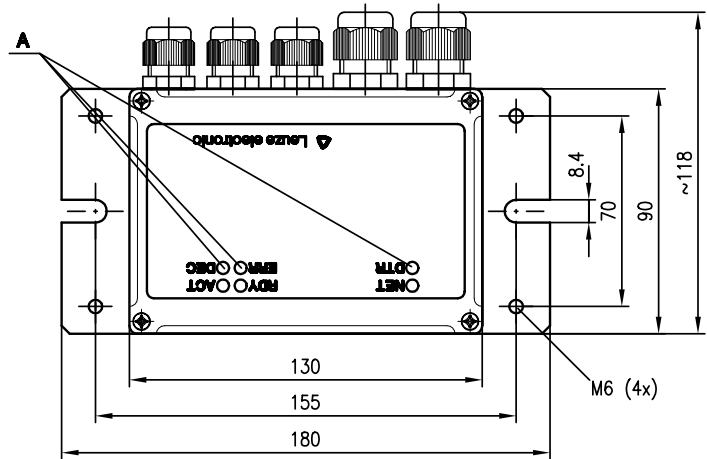
18 - 36 V
DC



- Connector unit for BCL 22/BCL 32 and RFM ...
- Interface converter RS 232/RS 485
- Electrically insulated RS 485 interface
- RS 232 service interface
- LED showing completed reading
- Operating temperature 0°C ... +50°C

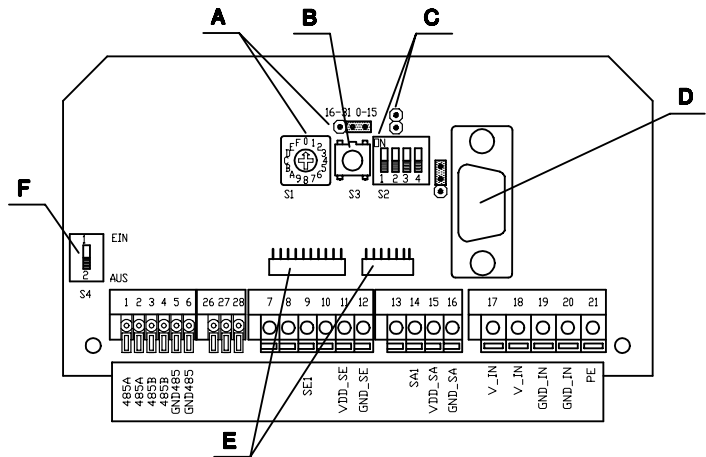


Dimensioned drawing



A LED indicators

Electrical connection



- A Address setting
- B Reset
- C Operating mode (see table)
- D Service connector
- E RFM... connection
- F Bus termination (see table)

S2.1	S2.3	S2.4	Operating mode	S4	RS 485 bus termination
X	ON	OFF	Service interface <-> MA 21	1	No bus termination
X	ON	ON	Service interface <-> device	2	Bus termination on

X: arbitrary switch position
S2.2: without function

We reserve the right to make changes * ma 21 100.2_e.fm

Accessories

available separately:

- Barcode reader BCL 22/BCL 32
- KB 031-3000 cable to connect the BCL 32 to the MA 21 100.2
- Inductive read-write systems RFM ...



Specifications

Electrical data

Operating voltage U_B	18 ... 36VDC
Power consumption	max. 4VA @ 24VDC

Interfaces

Interface types	RS 232 and RS 485 (electrically insulated) RS 232 service interface (9-pin Sub-D)
-----------------	--

Mechanical data

Housing	diecast aluminium
Dimensions	130 x 90 x 93 mm (HxWxD)
Weight	0.640 kg
Protection class	IP 54

Environmental data

Ambient temp. (operation/storage)	0°C ... +50°C / -20°C ... +60°C
Air humidity	max. 90% rel. humidity, non-condensing
Vibration	tested acc. to IEC 68.2.6
Shock	tested acc. to IEC 68.2.27
Electromagnetic compatibility	tested acc. to IEC 801

Description

The connector unit MA 21 100.2 is a connector unit for the barcode readers BCL 22/BCL 32 and for the RFID systems RFI ...-/RFM ... for the purpose of integrating these components into the RS 485 network.

Network address setting

Rotary switch S1 in **0** position: stand alone, protocol converter;
in **1 ... F**-position: network slave address

Jumper in **0 ... 15** position: low address range 0 ... 15;
in **16 ... 31** position: high address range 16 ... 31

DIP switch S2

S2.1	S2.2	S2.3	S2.4	Operating mode
X	X	ON	ON	Service interface connected to BCL/RF device.
X	X	ON	OFF	Service interface connected to MA 21.
ON	X	OFF	X	Commands via multinet go straight to the BCL/RF device.
OFF	X	OFF	X	Commands via multinet are interpreted by the MA 21.

'X' - arbitrary switch position

Switch S2.2 reserved, currently without function

Switch S3 reset switch

A reset via the reset switch **S3** for a duration of more than 4s sets the standard parameters for the respective operating mode.

Switch S4 bus termination of the RS 485 interface

- 1: Bus termination switched on,
- 2: Bus termination switched off, required for the network

The hardware configuration via the DIP switch **S2** and the rotary switch **S1** is queried every 100ms, and the MA 21 100.2 is configured accordingly.
Updating the setting does not require a reset.

LEDs

A successful reading is indicated via the **DEC** LED (0.5s ON).

Order guide

	Type	Part No.
Connector unit with interface converter for BCL 22/BCL 32 and RFI .../RFM ...	MA 21 100.2	501 03125

Tables

Diagrams

Remarks