

MA 8.1

Connector unit for BCL 8

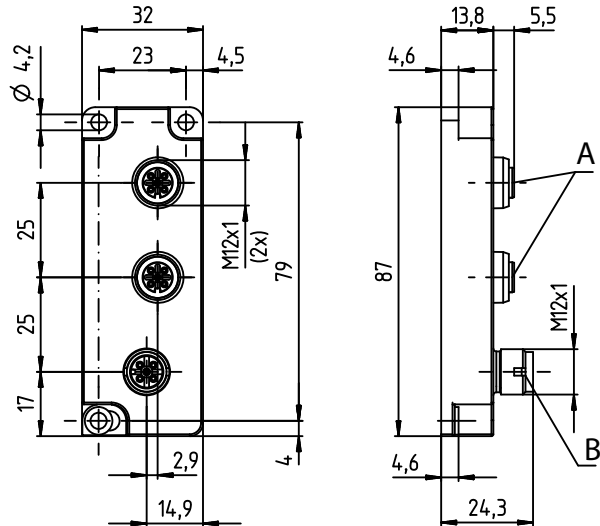


en 04-2011/10 50103427

10 - 30 V
DC

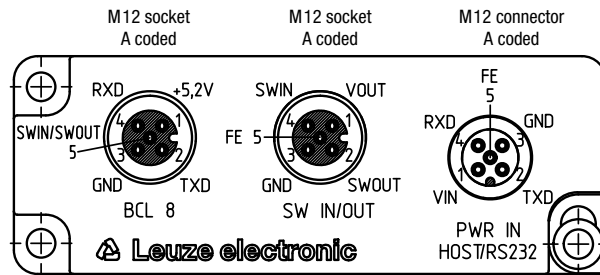
- Connector unit for easy connection of the BCL 8
- M12 connector
- Operating temperature 0°C ... +50°C
- Simultaneous use of input and output

Dimensioned drawing

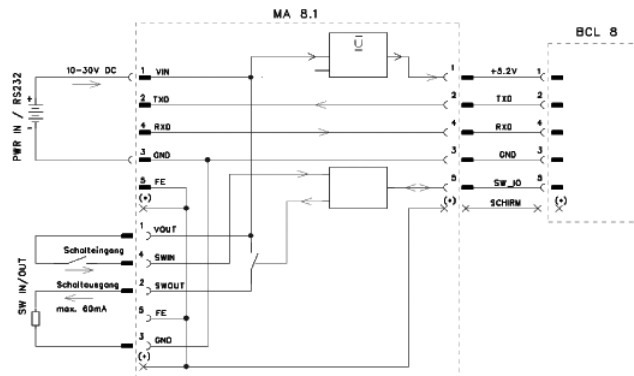


- A 5-pin socket
- B 5-pin plug

Electrical connection



Contact option of FE connection



We reserve the right to make changes • DS_MA_8.1_en.fm



Accessories:

(available separately)

- Cable KB 008 ... for the connection of the connector unit to the BCL 8 also provides connections for RS 232, Power, and I/O, see separate data sheet

Specifications

Electrical data

Operating voltage U_B	10 ... 30VDC (power supply for the MA 8.1 must feature a safe electrical separation through double insulation and safety transformer acc. to EN 61558-2-6 (IEC 61558-2-6). ¹⁾ max. 0.5W (without BCL 8)
Power consumption	

Mechanical data

Housing	plastic
Protection class	IP 67 with M12 cap screwed on and/or cable attached
Dimensions	87x32x25mm ³ (WxHxD)
Weight	70g
Connection type	M12 connector

Environmental data

Ambient temp. (operation/storage)	0°C ... +50°C/-30°C ... +80°C
Air humidity	max. 90% rel. humidity, non-condensing
Vibration	IEC 60068-2-6, test FC
Electromagnetic compatibility	

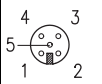
EN 61000-6-2
EN 61000-6-3
FCC Part 15, Class A, UL

Conformity

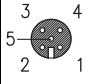
1) For UL applications: only for use in "class 2" circuits in accordance with NEC.

Connector pin assignment

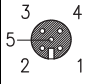
Connector PWR IN-HOST/RS232 (max. cable length: 10m)

Pin No.	In-/output (MA perspective)	Signal	
			
1	I	Supply voltage	10 ... 30 VDC
2	O	RS 232/TxD	Data from the BCL 8 to the host
3	I	GND	
4	I	RS 232/RxD	Data from the host to the BCL 8
5	I	FE	Functional earth
Metal flange		FE	Functional earth

Socket SW IN/OUT (max. cable length: 10m)

Pin No.	In-/output (MA perspective)	Signal	
			
1	O	Sensor/actuator supply voltage	10 ... 30VDC, coupled to supply voltage
2	O	SWOUT	Switching output, max. 60 mA
3	O	GND	
4	I	SWIN	Switching input, 10 ... 30V
5	O	FE	Functional earth
Metal flange		FE	Functional earth

Socket BCL (max. cable length: 3m)

Pin No.	In-/output (MA perspective)	Signal	
			
1	O	BCL supply voltage	4.75 ... 5.5 VDC
2	I	RS 232/TxD	Data from the BCL 8 to the host
3	O	GND	
4	O	RS 232/RxD	Data from the host to the BCL 8
5	I/O	SWIN/SWOUT	Programmable switching input/output of the BCL 8
Metal flange		FE	Functional earth

Order guide

	Type	Part No.
Connector unit for BCL 8	MA 8.1	50101699