

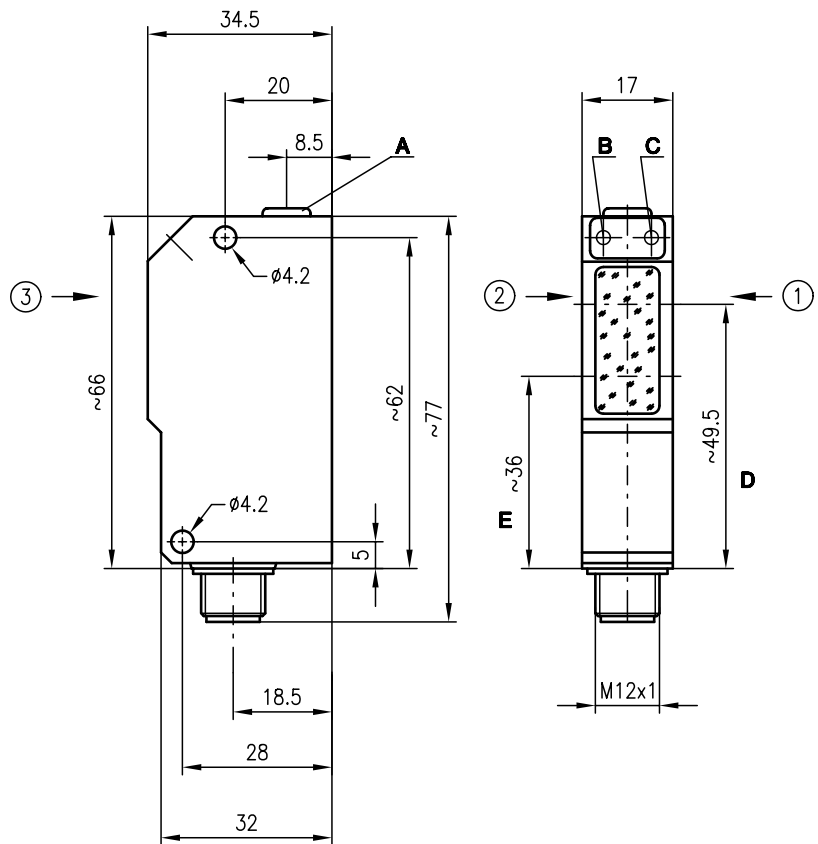


FRKR 95

Diffuse reflection light scanner with background suppression

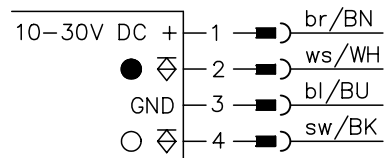


Dimensioned drawing



- A Scanning range adjustment
 - B Switching indicator yellow
 - C Operation indicator green
 - D Optical axis receiver
 - E Optical axis transmitter
- Preferred entry direction for objects ① + ② + ③

Electrical connection



20 ... 450mm



- Scanner with adjustable background suppression using visible red light for fast and easy alignment
- Very good black/white performance, exact adjustment via multiturn potentiometer
- High switching frequency for detection of fast events



Accessories:

(available separately)

- Mounting systems (BT 95, UMS 1)
- M12 connectors (KD ...)

We reserve the right to make changes • 95_d09e.fm

Specifications

Optical data

Typ. scanning range limit (white 90%) ¹⁾
 Scanning range ²⁾
 Adjustment range
 Light beam characteristic
 Light source
 Wavelength

FRKR 95/44-350 L

20 ... 450mm
 see tables
 60 ... 450mm
 focussed
 LED (modulated light)
 660nm (red light)

Timing

Switching frequency 1000Hz
 Response time 0.5ms
 Delay before start-up ≤ 100ms

Electrical data

Operating voltage U_B 10 ... 30VDC (incl. residual ripple)
 Residual ripple ≤ 15% of U_B
 Bias current ≤ 35mA
 Switching output 2 PNP transistor outputs, complementary
 Function characteristics light/dark switching
 Signal voltage high/low ≥ ($U_B - 2V$) ≤ 2V
 Output current max. 100mA

Indicators

LED green ready
 LED yellow reflection

Mechanical data

Housing diecast zinc
 Optics cover glass
 Weight 90g
 Connection type M 12 connector, stainless steel, 4-pin

Environmental data

Ambient temp. (operation/storage) ³⁾ 25°C (-30°C) ... +60°C/-40°C ... +70°C
 Protective circuit ⁴⁾ 2, 3
 VDE safety class ⁵⁾ II, all-insulated
 Protection class IP 67, IP 69K ⁶⁾
 LED class 1 (acc. to EN 60825-1)
 Standards applied IEC 60947-5-2

- 1) Typ. scanning range limit: max. attainable range without performance reserve
- 2) Scanning range: recommended range with performance reserve
- 3) -30°C with operating voltage continuously applied
- 4) 2=polarity reversal protection, 3=short-circuit protection for all outputs
- 5) Rating voltage 250VAC
- 6) IP 69K test acc. to DIN 40050 part 9 simulated, high pressure cleaning conditions without the use of additives, acids and bases are not part of the test

Order guide

| | Designation | Part No. |
|-----------|------------------|-----------|
| Red light | FRKR 95/44-350 L | 500 34514 |

Tables

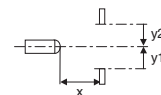
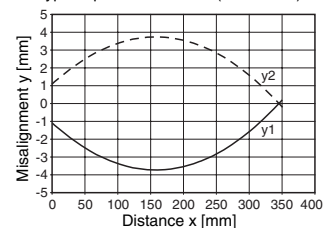
| | | | |
|---|----|-----|-----|
| 1 | 5 | 350 | 450 |
| 2 | 20 | 310 | 410 |
| 3 | 25 | 280 | 300 |

| | |
|---|-----------|
| 1 | white 90% |
| 2 | grey 18% |
| 3 | black 6% |

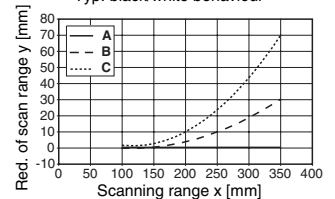
Scanning range [mm]
 Typ. scanning range limit [mm]

Diagrams

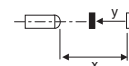
Typ. response behaviour (white 90%)



Typ. black/white behaviour



- A white 90%
- B grey 18%
- C black 6%



Remarks

- With the set scanning range, a tolerance of the upper scanning range limit is possible depending on the reflection properties of the material surface.