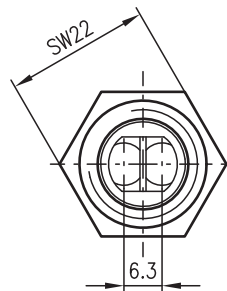
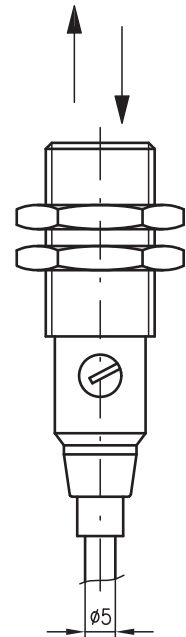
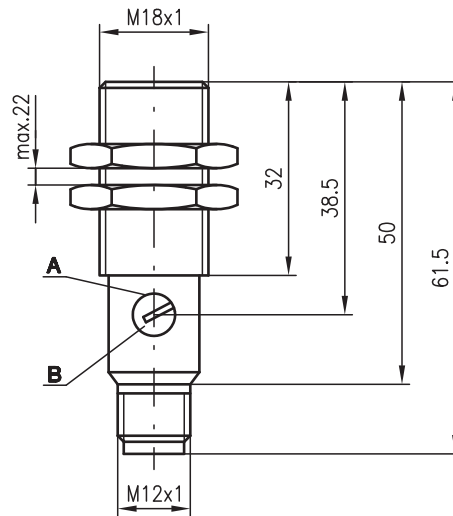


PRK 318

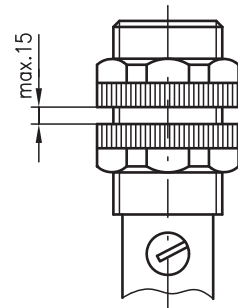
Retro-reflective photoelectric sensors with polarisation filter

Dimensioned drawing

PRK 318M/...

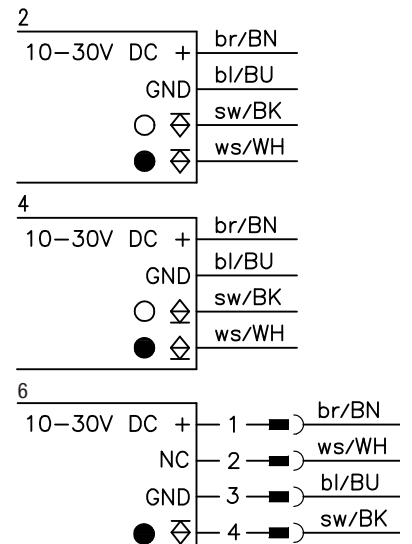
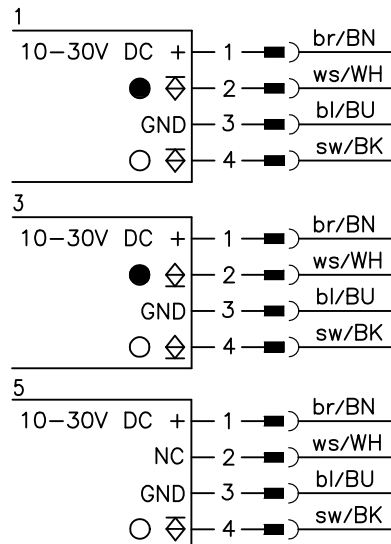


PRK 318K/...



- A** Indicator diode
- B** Sensitivity adjustment

Electrical connection



Part No. 501 08660



0.02 ... 6.0m



- Polarised retro-reflective photoelectric sensors with straight optics using visible red light
- Robust cylindrical stainless steel or plastic housing M18x1, protection class IP 67 for industrial application
- Complementary switching outputs for light/dark switching or as a control function
- Very short construction for application in limited spaces



Accessories:

(available separately)

- Mounting systems (BT 318, BT 318-ARH)
- M12 connectors (KD ...)
- Ready-made cables (K-D ...)
- Reflectors
- Reflective tape

We reserve the right to make changes • 318_b01.gb.fm

Specifications

Optical data

Typ. operating range limit (TK(S) 100x100) ¹⁾	0.02 ... 6.0m
Operating range ²⁾	see tables
Light source	LED (modulated light)
Wavelength	660nm (visible red light, polarised)

Timing

Switching frequency	1000Hz
Response time	0.5ms
Delay before start-up	≤ 30ms

Electrical data

Operating voltage U_B	10 ... 30VDC
Residual ripple	≤ 10% of U_B
Bias current	≤ 15mA
Switching output	2 transistor outputs, complementary
Function characteristics	... - 81/4D ... 1 transistor switching output light/dark switching
	... - 81 ... light switching
	... 4D ... dark switching
Signal voltage high/low	≥ ($U_B - 1.6V$) ≤ 1.6V
Output current	max. 100mA
Sensitivity	adjustable

Indicators

LED red	light path free
LED red flashing	light path free, no performance reserve

Mechanical data

Housing	polyamide 12 or stainless steel
Optics cover	acrylic
Weight	90g (cable), 20g (M12)
Connection type	M12 connector, 4-pin cable 2m, 4x0.25mm ²

Environmental data

Ambient temp. (operation/storage)	-25°C ... +65°C/-40°C ... +70°C
Protective circuit ³⁾	1, 2, 3, 4
VDE safety class ⁴⁾	II, all-insulated
Protection class	IP 67
LED class	1 (acc. to EN 60825-1)
Standards applied	IEC 60947-5-2

- 1) Typ. operating range limit: max. attainable range without performance reserve
- 2) Operating range: recommended range with performance reserve
- 3) 1=transient protection, 2=polarity reversal protection, 3=short circuit protection for all outputs, 4=interference blanking
- 4) Rating voltage 250VAC

Order guide

Selection table		PRK 318K/P-S12 Part No. 500 81347	PRK 318K/P Part No. 500 81348	PRK 318M/P-S12 Part No. 500 81349	PRK 318M/P Part No. 500 81350	PRK 318K/N-S12 Part No. 500 83151	PRK 318K/N Part No. 500 82187	PRK 318M/N-S12 Part No. 500 82145	PRK 318M/N Part No. 500 83140	PRK 318K/P-81-S12 Part No. 500 89215	PRK 318M/4D-S12 Part No. 501 10932
Equipment ↓	Housing	●	●			●	●			●	
		plastic									
				●	●			●	●		●
Connection	M12 connector	●		●	●	●		●	●	●	●
	cable		●		●		●		●		
Switching output	PNP	●	●	●	●					●	●
	NPN					●	●	●	●		
Function characteristics	light switching	●	●	●	●	●	●	●	●	●	
	dark switching	●	●	●	●	●	●	●	●		●
Connection diagram		1	2	1	2	3	4	3	4	5	6

Tables

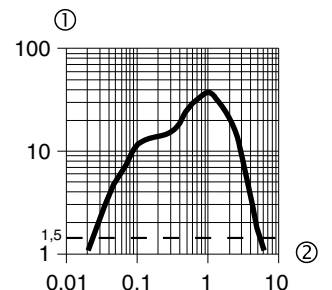
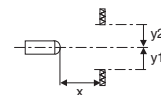
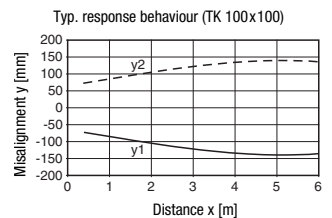
Reflectors	Operating range
1 TK(S) 100x100	0.03 ... 4.6m
2 MTK(S) 50x50	0.02 ... 3.2m
3 TK(S) 30x50	0.03 ... 2.2m
4 TK(S) 20x40	0.06 ... 1.9m
5 Tape 2 100x100	0.24 ... 2.0m

1	0.03		4.6	6.0
2	0.02		3.2	4.6
3	0.03	2.2	3.2	
4	0.06	1.9	2.9	
5	0.24	2.0	3.1	

□ Operating range [m]
 ▒ Typ. operating range limit [m]

TK ... = adhesive
 TKS ... = screw type
 Tape 2 = adhesive

Diagrams



Typical behaviour reflector distance / relative intensity of received light (with reflector TK(S) 100x100)

- 1 Relative intensity of received light
- 2 Reflector distance in [m]

Remarks

Approved purpose:
 The retro-reflective photoelectric sensors are optical electronic sensors for optical, contactless detection of objects.