

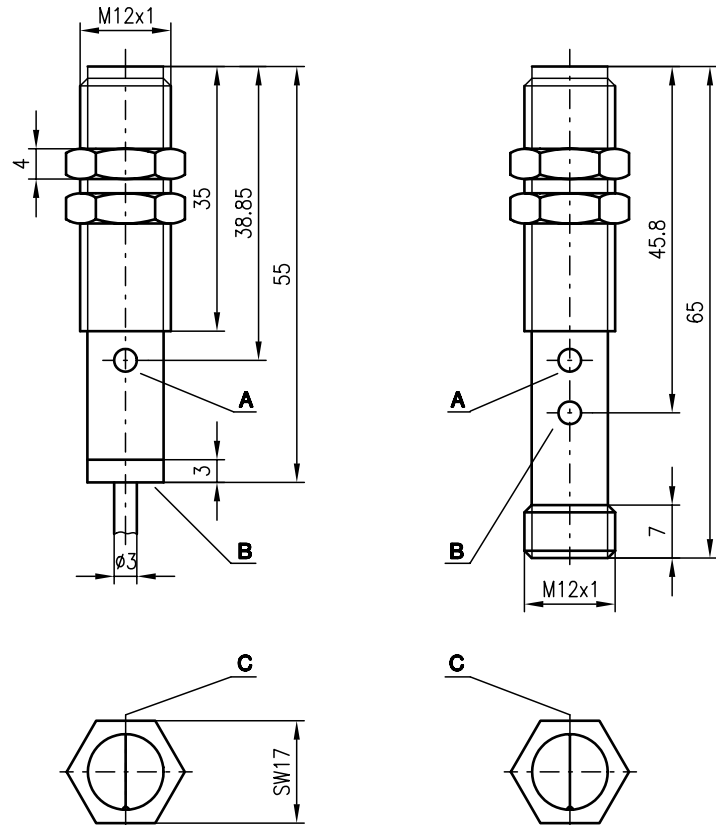


RT 412

Energetic diffuse reflection light scanners



Dimensioned drawing



- A** Sensitivity adjustment
- B** Indicator diode
- C** Optical axis

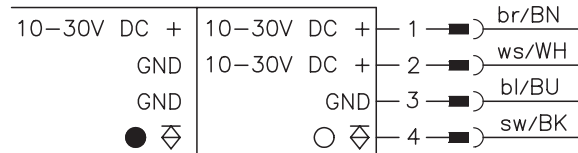
0 ... 400mm



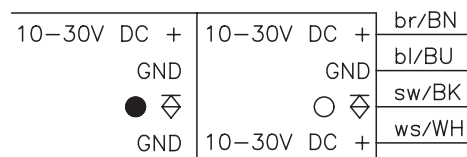
- Energetic diffuse reflection light scanners using visible red light
- Slim and short cylindrical metal housing M12x1
- High switching frequency for detection of fast events
- Light/dark switching via control line

Electrical connection

RT 412M/P-200-S12



RT 412M/P-200



Accessories:

(available separately)

- M12 connectors (KD ...)
- Ready-made cables (KB ...)

We reserve the right to make changes • 412_c01e.fm

Specifications

Optical data

Typ. scanning range limit (white 90%) ¹⁾	0 ... 400mm
Scanning range ²⁾	see tables
Adjustment range	50 ... 400mm
Light source	LED (modulated light)
Wavelength	660nm (visible red light, polarised)

Timing

Switching frequency	700Hz
Response time	0.7ms
Delay before start-up	≤ 25ms

Electrical data

Operating voltage U_B	10 ... 30VDC (incl. residual ripple)
Residual ripple	≤ 10% of U_B
Bias current	≤ 20mA
Switching output	PNP transistor output
Function characteristics ³⁾	light/dark switching via control line
Signal voltage high/low	≥ ($U_B - 3V$) / ≤ 3V
Output current	max. 200mA
Sensitivity	adjustable

Indicators

LED yellow	switching state
------------	-----------------

Mechanical data

Housing	nickel-faced brass
Optics cover	plastic
Weight	18g
Connection type	M12 connector 4-pin, cable 2m, 4x0.14mm ²

Environmental data

Ambient temp. (operation/storage)	-25°C ... +55°C / -40°C ... +70°C
Protective circuit ⁴⁾	2, 3
VDE safety class	III
Protection class	IP 67
Standards applied	IEC 60947-5-2

- 1) Typ. scanning range limit: max. attainable range without performance reserve
- 2) Scanning range: recommended range with performance reserve
- 3) Light switching for control line (ws/WH): not connected or connected to U_B
Dark switching for control line (ws/WH): connected to GND
- 4) 2=polarity reversal protection, 3=short-circuit protection for all outputs

Order guide

	Designation	Part No.
With M12 connector	RT 412M/P-200-S12	500 81409
With cable connection	RT 412M/P-200	500 81410

Tables

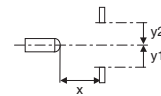
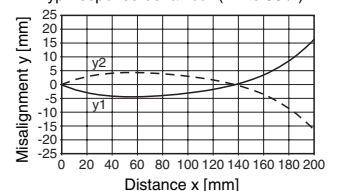
1	0	200	400
2	2	100	200
3	5	70	140

1	white 90%
2	grey 18%
3	black 6%

<input type="checkbox"/>	Scanning range [mm]
<input type="checkbox"/>	Typ. scanning range limit [mm]

Diagrams

Typ. response behaviour (white 90%)



Remarks

- With the set scanning range, a tolerance of the upper and lower scanning range limit is possible depending on the reflection properties of the material surface.
- Models with NPN transistor output on request.