



Model Number

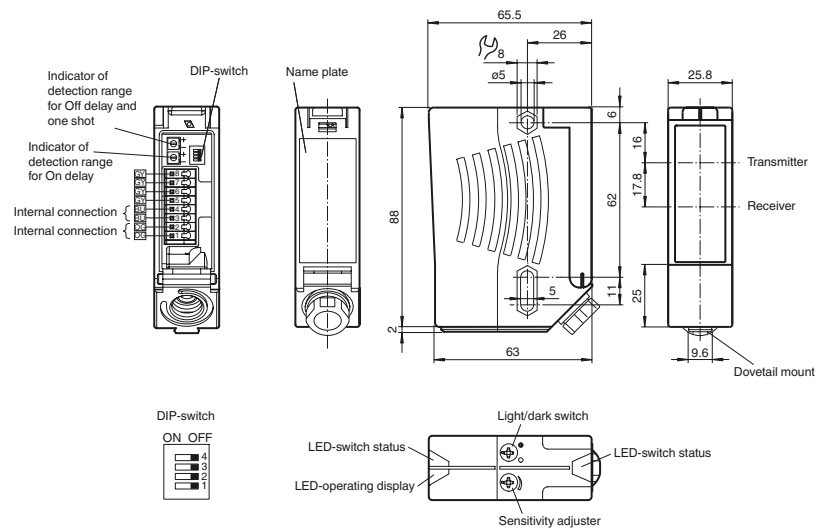
RL28-55-V-Z/47/82b/116

Retroreflective sensor
with terminal compartment

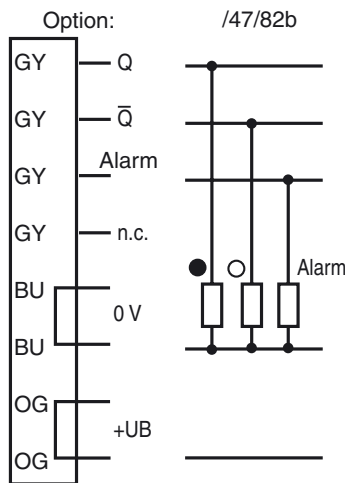
Features

- Foreground suppression, suited to recording of sheet-shrink-wrapped objects
- Ultra bright LEDs for power on, pre fault indication and switching state
- Programmable time function GAN, GAB, IAB and GAN-IAB as double function
- Not sensitive to ambient light, even with switched energy saving lamps
- Waterproof, protection degree IP67
- Protection class II

Dimensions



Electrical connection



○ = Light on
● = Dark on

Release date: 2011-12-21 10:27 Date of issue: 2011-12-21 116668_eng.xml

Technical data**General specifications**

Effective detection range	0 ... 13 m
Reflector distance	0.5 ... 13 m (blind range 0 ... 0.2 m faded out)

Threshold detection range	17 m
---------------------------	------

Reference target	H85-2 reflector
------------------	-----------------

Light source	LED
--------------	-----

Light type	modulated visible red light , 660 nm
------------	--------------------------------------

Diameter of the light spot	approx. 220 mm at a distance of 13 m
----------------------------	--------------------------------------

Angle of divergence	emitter 1.2° receiver 2°
---------------------	-----------------------------

Ambient light limit	80000 Lux
---------------------	-----------

Functional safety related parameters

MTTF _d	1140 a
-------------------	--------

Mission Time (T _M)	20 a
--------------------------------	------

Diagnostic Coverage (DC)	0 %
--------------------------	-----

Indicators/operating means

Operating display	LED green
-------------------	-----------

Function display	2 LEDs yellow, light up when light beam is free, flash when falling short of the stability control, off when light beam is interrupted
------------------	--

Controls	sensitivity adjustment (Adjustment to < 25% of the effective operating range) , Light/Dark switch
----------	---

Electrical specifications

Operating voltage	U _B	10 ... 30 V DC
-------------------	----------------	----------------

Ripple	10 %
--------	------

No-load supply current	I ₀	≤ 40 mA
------------------------	----------------	---------

Output

Output of the pre-fault indication	1 PNP, inactive when falling short of the stability control for 10;s immediately inactive if 4 light beam interruptions take place
------------------------------------	--

Switching type	light/dark on, switchable (selectable, light/dark switching is only activated if the receiver has 'dark on' selected.)
----------------	--

Signal output	2 PNP, complementary, short-circuit protected, reverse polarity protected , open collectors
---------------	---

Switching voltage	max. 30 V DC
-------------------	--------------

Switching current	max. 200 mA
-------------------	-------------

Switching frequency	f	1000 Hz
---------------------	---	---------

Response time	0.5 ms
---------------	--------

Timer function	ON delay (GAN), OFF delay (GAB), one shot (IAB), ON delay-one shot (GAN-IAB), ON delay-OFF delay (GAN-GAB), programmable adjustment interval 0.02 s ... 1 s
----------------	---

Ambient conditions

Ambient temperature	-40 ... 60 °C (-40 ... 140 °F)
---------------------	--------------------------------

Storage temperature	-40 ... 75 °C (-40 ... 167 °F)
---------------------	--------------------------------

Mechanical specifications

Protection degree	IP67
-------------------	------

Connection	terminal compartment with 8 spring-loaded terminals for wire cross section 0.5 ... 1.5 mm ² , insulation stripping 7.5 ... 8.5 mm, M16 x 1.5 cable gland
------------	---

Material

Housing	Plastic ABS
---------	-------------

Optical face	plastic
--------------	---------

Mass	approx. 112 g
------	---------------

Compliance with standards and directives

Standard conformity	
---------------------	--

Product standard	EN 60947-5-2:2007
------------------	-------------------

Approvals and certificates

Protection class	II, rated voltage ≤ 250 V AC with pollution degree 1-2 according to IEC 60664-1 Caution! The protection class 2 is only valid when the terminal compartment is closed.
------------------	--

UL approval	cULus
-------------	-------

CCC approval	Products with a maximum operating voltage of ≤36 V do not bear a CCC marking because they do not require approval.
--------------	--

Accessories**OMH-05**

Mounting aid for round steel ø 12 mm or sheet 1.5 mm ... 3 mm

OMH-07

Mounting aid for round steel ø 12 mm or sheet 1.5 mm ... 3 mm

OMH-21

Mounting bracket

OMH-22

Mounting bracket

OMH-MLV11-K

dove tail mounting clamp

OMH-RLK29

Mounting bracket

OMH-RLK29-HW

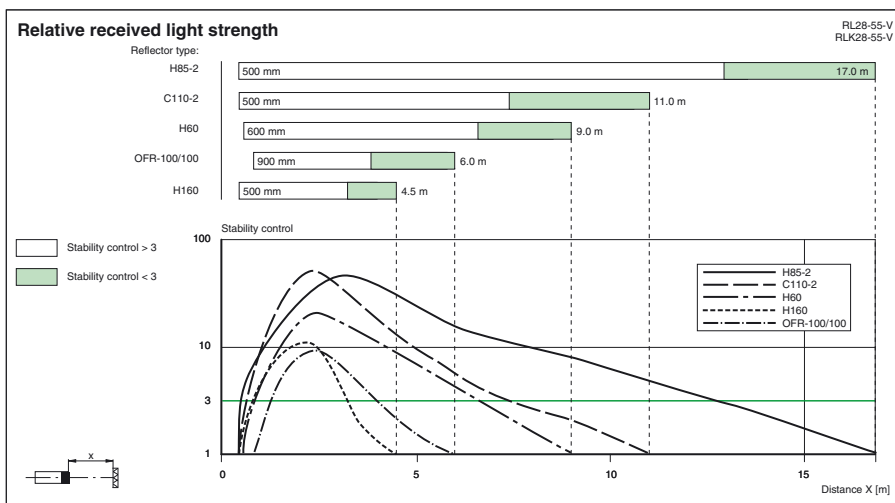
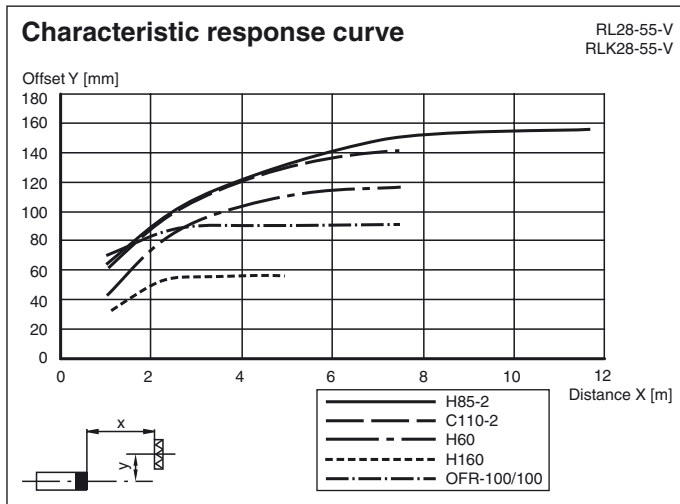
Mounting bracket for rear wall mounting

OMH-RL28-C

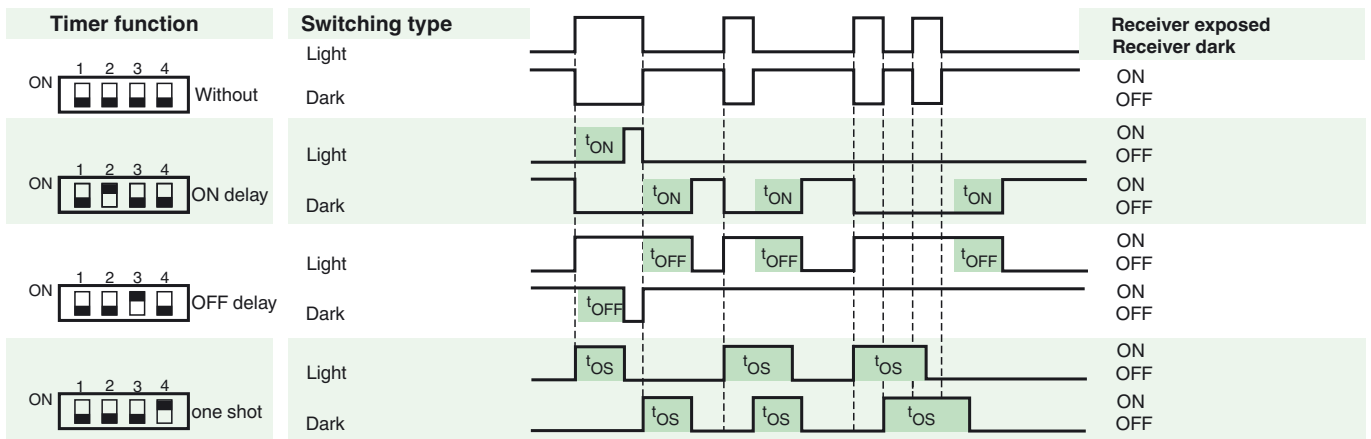
Protective cover

Other suitable accessories can be found at www.pepperl-fuchs.com

Curves/Diagrams



Timer functions



Time t_{ON} , t_{OFF} and t_{OS} are adjustable from 0.02 to 1 seconds.
 The Light-/Dark-Switch (Left, outer switch) is shown in the "Dark ON" position.

Type	Description	Notes
-Z	OFF delay timer	Adjustable time interval (0.02 s - 10 s)
	one shot timer	
	ON delay timer	
	ON delay timer / OFF delay timer	
	ON delay timer / one shot timer	

Release date: 2011-12-21 10:27 Date of issue: 2011-12-21 116668_eng.xml