



RL30-54/32/73c

Retroreflective sensor with polarisation filter

RL30-54/32/73c

with 4-pin, M12 x 1 plastic connector

CE



- ◆ **Sleek design, special for storage and conveyor systems**
- ◆ **Scratch-resistant and solvent resistant optical covering made of glass**
- ◆ **Glare protected with polarisation filter**
- ◆ **Reliable detection of reflecting metall objects**

Release date: 2006-04-28 09:06 Date of issue: 2006-04-28 132232_ENG.xml

General specifications

Effective detection range	0 ... 4000 mm
Reflector distance	250 ... 4000 mm
Threshold detection range	7000 mm on reflector H 60
Light source	LED
Approvals	CE
Reference target	H60 reflector
Light type	red, modulated light
Diameter of the light spot	approx. 200 mm at a distance of 4000 mm
Angle of divergence	approx. 3 °
Ambient light limit	80000 Lux

Indicators/operating means

Function display	LED yellow, light with free light beam, off when falling short of the function reserve
------------------	--

Electrical specifications

Operating voltage	10 ... 30 V DC
No-load supply current I ₀	40 mA at 30 V DC

Output

Switching type	dark ON
Signal output	1 PNP output, short-circuit proof, protected from reverse polarity, open collector
Switching voltage	30 V DC
Switching current	max. 200 mA
Switching frequency f	250 Hz
Response time	2 ms

Standard conformity

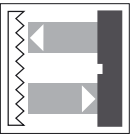
Standards	EN 60947-5-2
-----------	--------------

Ambient conditions

Ambient temperature	-20 ... 60 °C (253 ... 333 K)
Storage temperature	-20 ... 75 °C (253 ... 348 K)

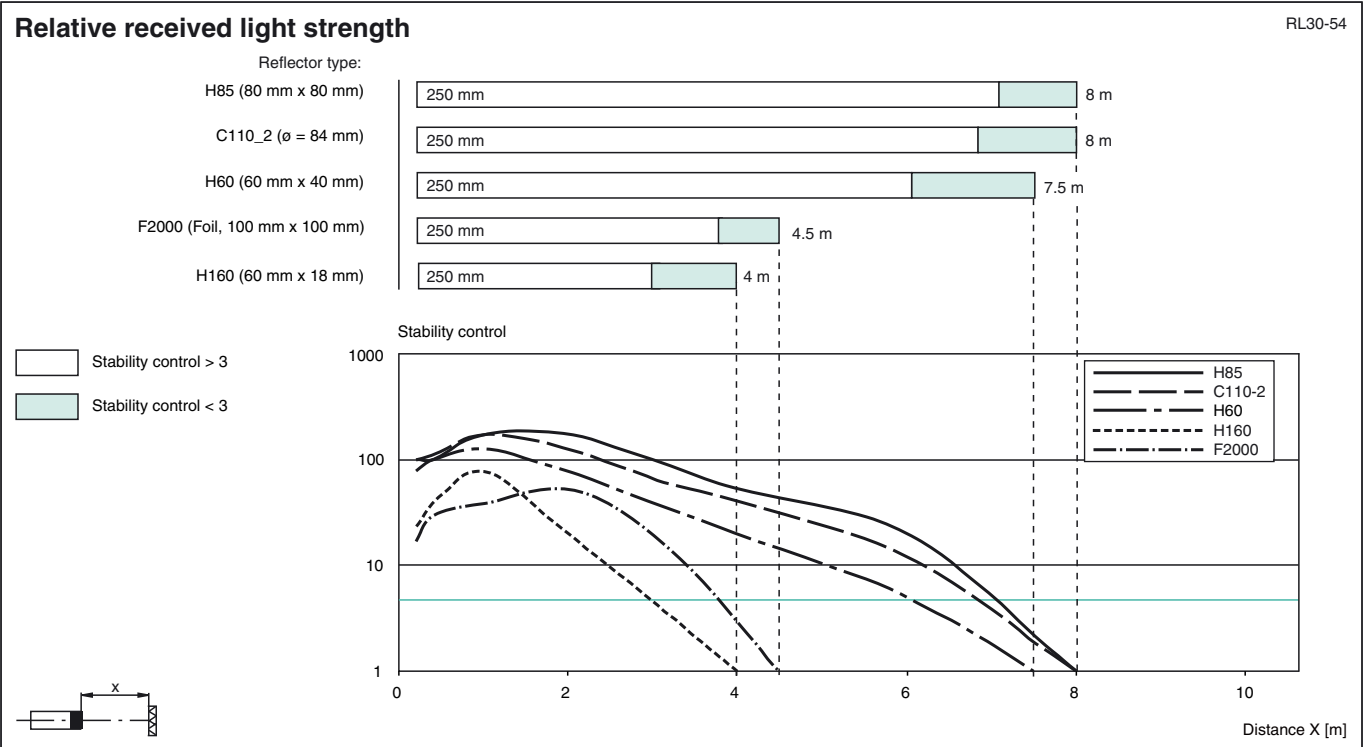
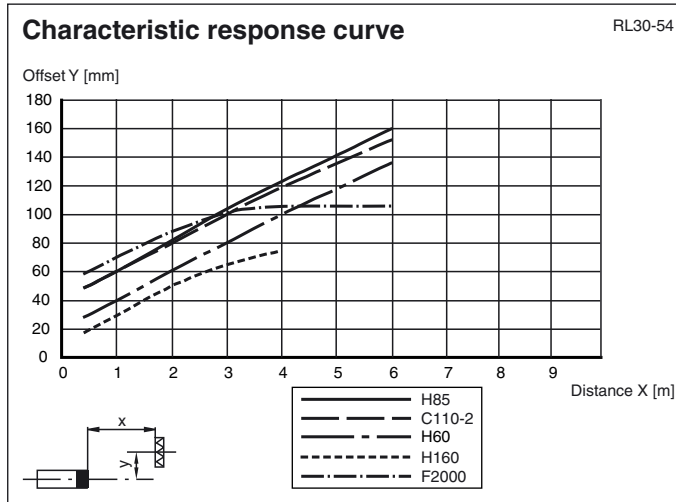
Mechanical specifications

Protection degree	IP65
Connection	Plastic connector M12 x 1, 4-pin
Material	
Housing	Terluran GV15
Optical face	glass
Mass	40 g



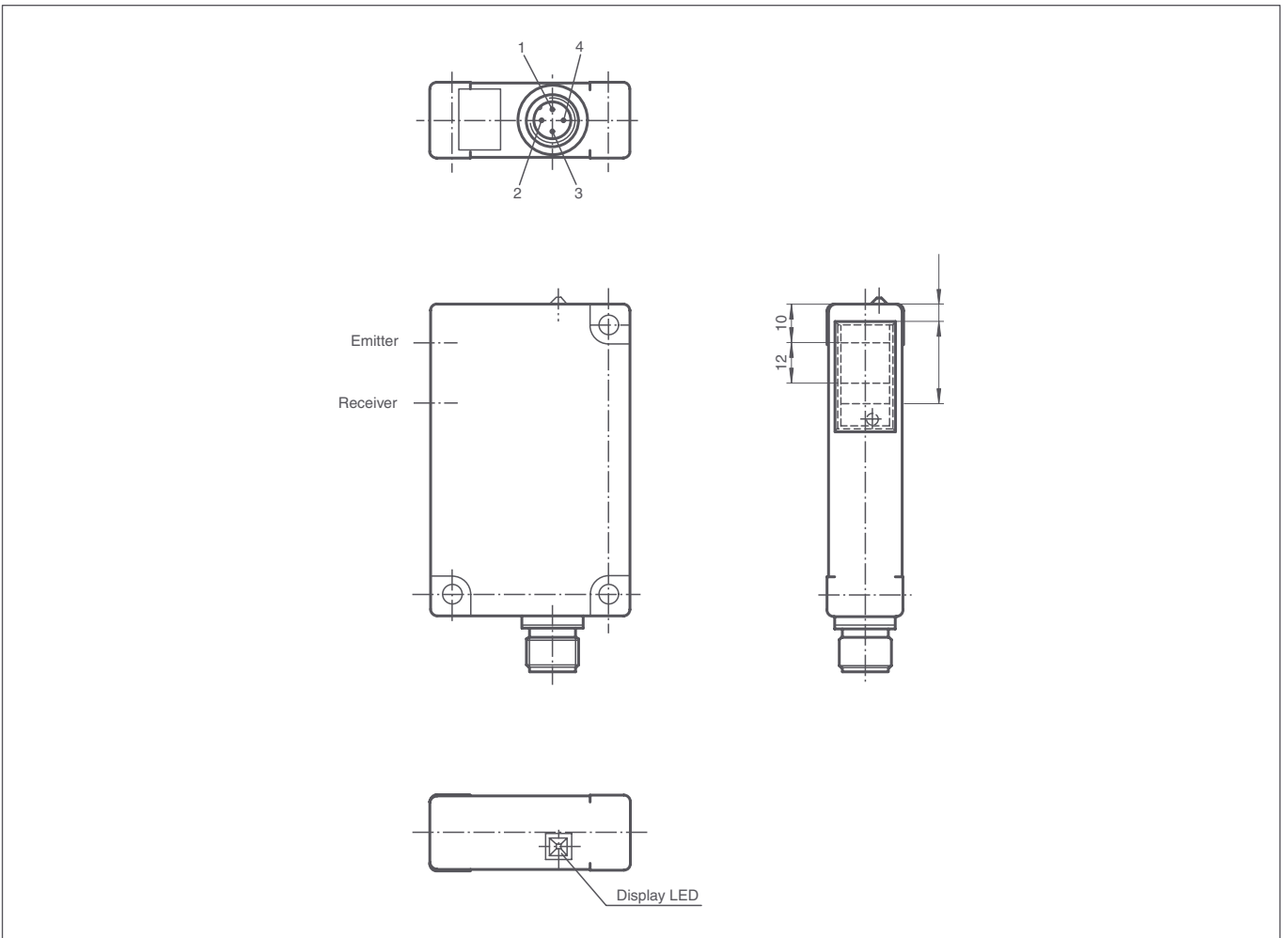
RL30-54/32/73c

Curves/Diagrams

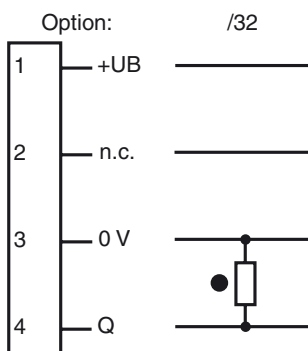


Release date: 2006-04-28 09:06 Date of issue: 2006-04-28 132232_ENG.xml

Dimensions



Electrical connection



○ = light on, ● = dark on

Release date: 2006-04-28 09:06 Date of issue: 2006-04-28 132232_ENG.xml