



Model Number

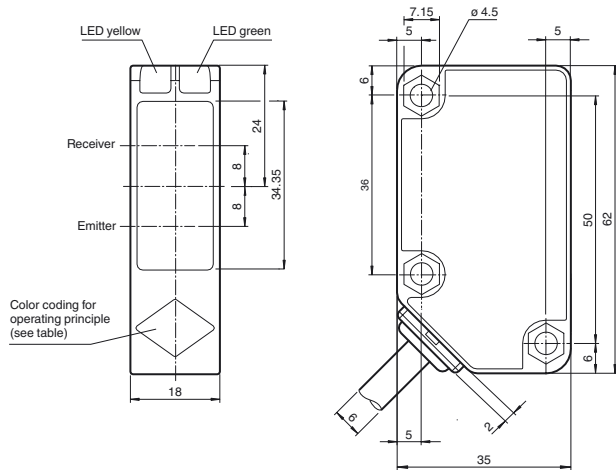
RLK31-54/25/31/115

Retroreflective sensor
with 2 m fixed cable

Features

- Cost-optimized series for standard tasks
- Large construction with small housing
- Version for universal voltages
- Relay output

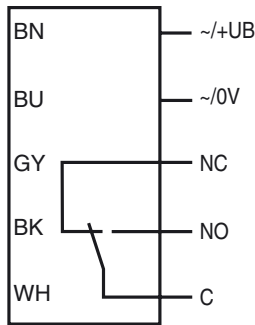
Dimensions



Operating principle	color
Retroreflective sensor with polarisation filter	green
Retroreflective sensor	blue
Diffusive mode sensor	white
Thru -beam sensor	grey
Diffusive mode sensor with background suppression	red

Electrical connection

Option:



Release date: 2012-11-29 15:21 Date of issue: 2012-11-29 183065_eng.xml

Subject to modifications without notice

Pepperl+Fuchs Group
www.pepperl-fuchs.com

USA: +1 330 486 0001
fa-info@us.pepperl-fuchs.com

Germany: +49 621 776-4411
fa-info@pepperl-fuchs.com

Copyright Pepperl+Fuchs

Singapore: +65 6779 9091
fa-info@sg.pepperl-fuchs.com

Technical data**General specifications**

Effective detection range	0 ... 9000 mm
Reflector distance	20 ... 9000 mm
Threshold detection range	12 m
Reference target	reflector C110-2
Light source	LED
Light type	modulated visible red light , 630 nm
Diameter of the light spot	approx. 200 mm at a distance of 6 m
Angle of divergence	3 °
Ambient light limit	50000 Lux

Functional safety related parameters

MTTF _d	790 a
Mission Time (T _M)	20 a
Diagnostic Coverage (DC)	0 %

Indicators/operating means

Operating display	LED green: power on
Function display	LED yellow: 1. LED lit constantly: signal > 2 x switching point (function reserve) 2. LED flashes: signal between 1 x switching point and 2 x switching point 3. LED off: signal < switching point

Electrical specifications

Operating voltage	U _B	24 ... 240 V AC 12 ... 240 V DC
No-load supply current	I ₀	≤ 40 mA
Power consumption	P ₀	≤ 2 VA

Output

Switching type	light on	
Signal output	Relay, 1 alternator	
Switching voltage	max. 240 V AC	
Switching current	max. 3 A	
Switching power	DC: max. 150 W AC: max. 750 VA	
Switching frequency	f	20 Hz
Response time	≤ 25 ms	

Ambient conditions

Ambient temperature	-25 ... 55 °C (-13 ... 131 °F)
Storage temperature	-40 ... 70 °C (-40 ... 158 °F)

Mechanical specifications

Protection degree	IP67
Connection	2 m fixed cable
Material	
Housing	Polycarbonate
Optical face	PMMA
Mass	154 g

Compliance with standards and directives

Directive conformity	EMC Directive 2004/108/EC
Standard conformity	
Product standard	EN 60947-5-2:2007 IEC 60947-5-2:2007
Standards	EN 62103

Approvals and certificates

Protection class	II , rated voltage ≤ 250 V AC with pollution degree 1-2 according to IEC 60664-1 Output circuit basis insulation of input circuit according to EN 50178, rated insulation voltage 240 V AC
CCC approval	Certified by China Compulsory Certification (CCC)

Accessories

OMH-RL31-01
Mounting bracket

OMH-RL31-02
Mounting bracket narrow

OMH-RL31-03
Mounting bracket narrow

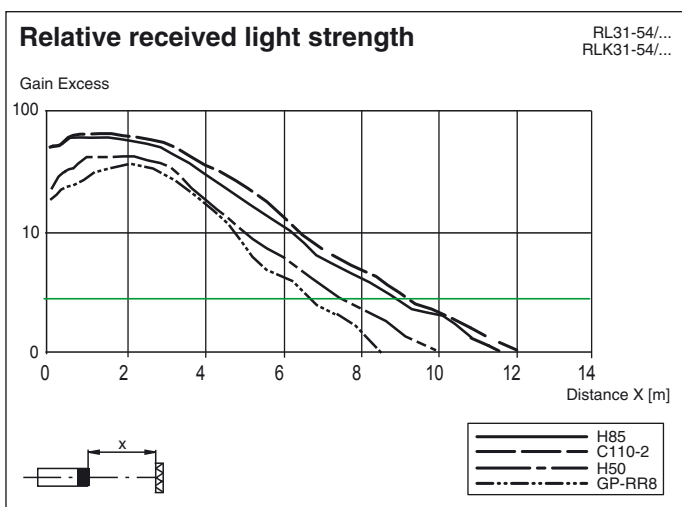
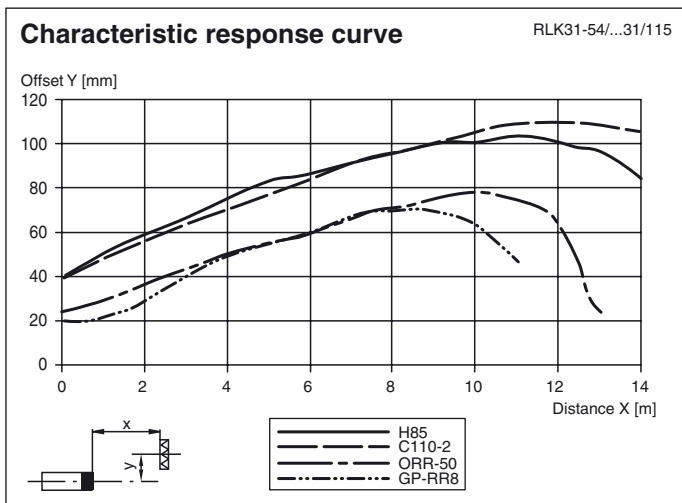
OMH-RL31-04
Mounting aid for round steel ø 12 mm or sheet 1.5 mm ... 3 mm

OMH-RL31-05
Mounting bracket with M10 threaded rod

OMH-RL31-06
Stainless steel mounting bracket with adjustable half clamp on the side

Suitable reflectors and cable sockets can be found in the Internet

Curves/Diagrams



Release date: 2012-11-29 15:21 Date of issue: 2012-11-29 183065_eng.xml