



Model Number

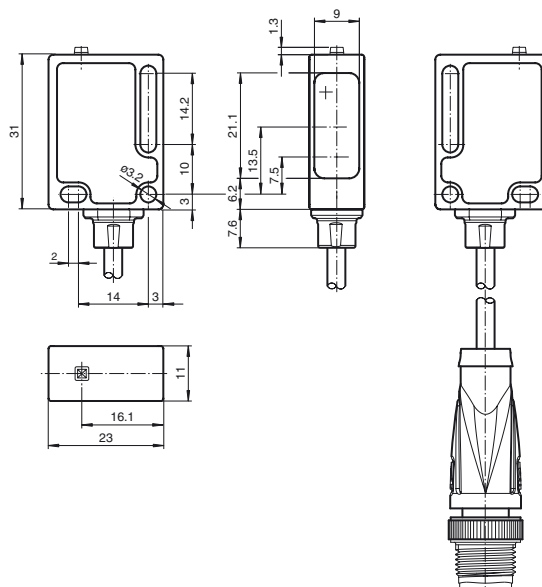
ML8-55-3900

Retroreflective sensor
fixed cable with M12 x , 4 pin connector
(yellowconnector)

Features

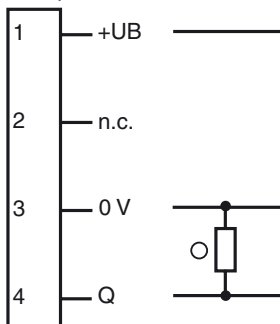
- Miniature design
- High operating range
- 2-way LED indicator for switch status
- Flexible mounting possibilities due to slotted hole

Dimensions



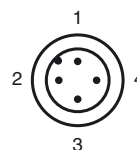
Electrical connection

Option: 103

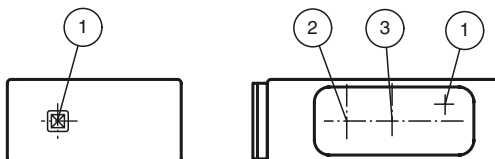


○ = Light on
● = Dark on

Pinout



Indicators/operating means



1	Switching state	yellow
2	Emitter	
3	Receiver	

Release date: 2011-03-15 14:00 Date of issue: 2011-03-15 203880_ENG.xml

Technical data**General specifications**

Effective detection range	0.05 ... 4 m
Reflector distance	0.05 ... 4 m
Threshold detection range	4.5 m
Reference target	H85-2 reflector
Light source	LED
Light type	modulated visible red light
Angle deviation	max. $\pm 1^\circ$
Diameter of the light spot	approx. 180 mm at a distance of 3.5 m
Angle of divergence	approx. 3°
Ambient light limit	40000 Lux

Functional safety related parameters

MTTF _d	1090 a
Mission Time (T _M)	20 a
Diagnostic Coverage (DC)	0 %

Indicators/operating means

Function display	LED yellow, lights up when light beam is free, flashes when falling short of the stability control
------------------	--

Electrical specifications

Operating voltage	U _B	10 ... 30 V DC , class 2
Ripple		max. 10 %
No-load supply current	I ₀	< 20 mA

Output

Switching type	light on	
Signal output	1 PNP output, short-circuit protected, protected from reverse polarity, open collector	
Switching voltage	max. 30 V DC	
Switching current	max. 100 mA	
Voltage drop	U _d	≤ 1.5 V DC
Switching frequency	f	1 kHz
Response time		500 μ s

Ambient conditions

Ambient temperature	-30 ... 60 °C (-22 ... 140 °F)
Storage temperature	-40 ... 75 °C (-40 ... 167 °F)

Mechanical specifications

Protection degree	IP65
Connection	fixed cable 300 mm with M12 connector, 4-pin (Connector color: yellow)
Material	
Housing	PC (glass-fiber-reinforced Makrolon)
Optical face	PMMA
Sheathing	PUR
Core insulation	PVC
Mass	approx. 50 g

Compliance with standards and directives

Directive conformity	EMC Directive 2004/108/EC
Standard conformity	
Product standard	EN 60947-5-2:2007
Protection degree	EN 60529
Standards	EN 50178, UL 508

Approvals and certificates

UL approval	cULus Listed, Class 2 Power Source, Type 1 enclosure
CCC approval	Products with a maximum operating voltage of ≤ 36 V do not bear a CCC marking because they do not require approval.

Accessories**Montagekit OMH-ML7-01**

Mounting set consisting of bracket OMH-ML-01 sheet ONH-ML7-03, and fastening material

Montagekit OMH-ML7-02

Mounting set consisting of bracket OMH-ML-02 sheet ONH-ML7-03, and fastening material

OMH-ML7-01

Mounting bracket

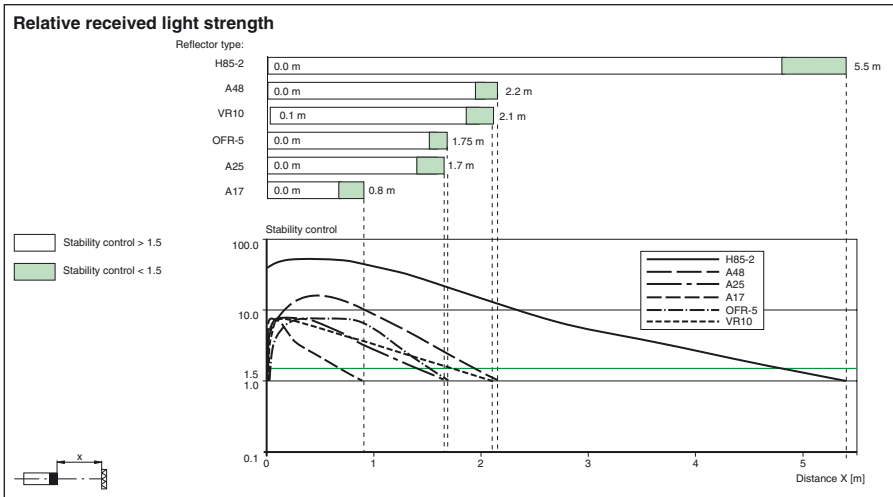
OMH-ML7-02

Mounting bracket

OMH-ML7-03

Fixing plate

Other suitable accessories can be found at www.pepperl-fuchs.com



Release date: 2011-03-15 14:00 Date of issue: 2011-03-15 203880_ENG.xml