



**Model Number**

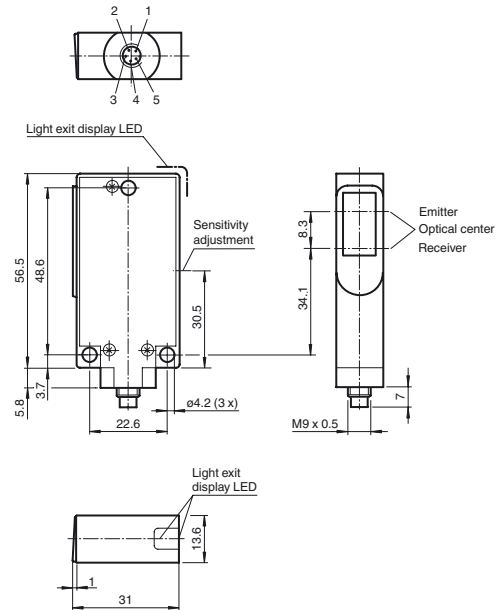
**MLV40-54/16/47/70B**

Retroreflective sensor  
with 5-pin, M9 x 0.5 connector

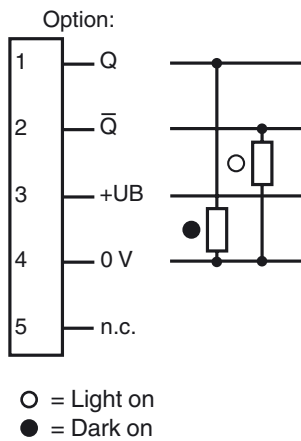
**Features**

- Sturdy aluminum housing
- Scratch-resistant and solvent resistant glass lens
- Pre-fault indication
- Glare protected with polarization filter

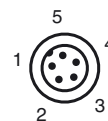
**Dimensions**



**Electrical connection**



**Pinout**



Release date: 2012-03-02 10:02 Date of issue: 2012-03-02 418846\_eng.xml

Subject to modifications without notice

Pepperl+Fuchs Group  
www.pepperl-fuchs.com

USA: +1 330 486 0001  
fa-info@us.pepperl-fuchs.com

Germany: +49 621 776-4411  
fa-info@pepperl-fuchs.com

Copyright Pepperl+Fuchs  
Singapore: +65 6779 9091  
fa-info@sg.pepperl-fuchs.com

**Technical data****General specifications**

Effective detection range	0.1 ... 1.7 m
Reflector distance	0.1 ... 1.5 m
Threshold detection range	2000 mm
Reference target	H60 reflector
Light source	LED
Light type	modulated visible red light
Diameter of the light spot	approx. 150 mm at detection range 1.7 m
Angle of divergence	approx. 5 °
Ambient light limit	80000 Lux

**Indicators/operating means**

Function display	LED yellow, lights up when light beam is free, flashes when falling short of the stability control
Controls	sensitivity adjustment

**Electrical specifications**

Operating voltage	$U_B$	10 ... 30 V DC
Ripple		5 %
No-load supply current	$I_0$	40 mA

**Output**

Switching type	light/dark on	
Signal output	2 PNP, complementary, short-circuit protected, reverse polarity protected	
Switching voltage	max. 30 V DC	
Switching current	max. 200 mA	
Switching frequency	$f$	500 Hz
Response time		1 ms

**Ambient conditions**

Ambient temperature	-20 ... 60 °C (-4 ... 140 °F)
Storage temperature	-20 ... 75 °C (-4 ... 167 °F)

**Mechanical specifications**

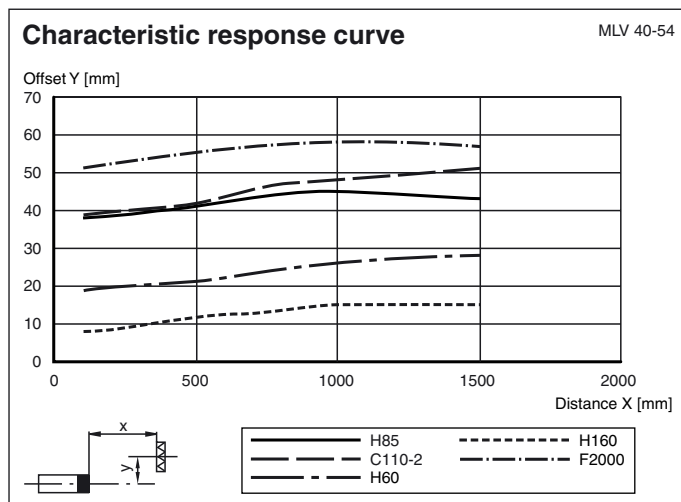
Protection degree	IP65
Connection	5-pin metal connector, Binder series 712
Material	
Housing	aluminum
Optical face	glass pane
Mass	100 g

**Compliance with standards and directives**

Standard conformity	
Product standard	EN 60947-5-2:2007 IEC 60947-5-2:2007

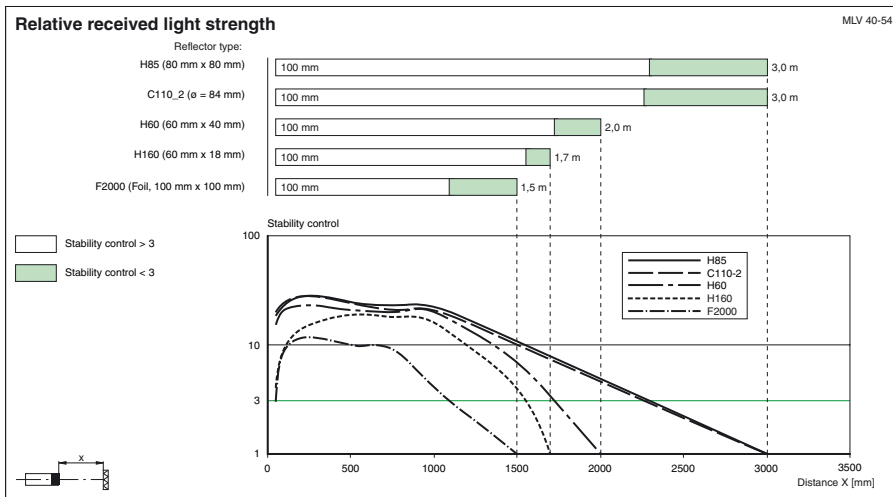
**Approvals and certificates**

CE conformity	yes
UL approval	cULus
CCC approval	Products with a maximum operating voltage of $\leq 36$ V do not bear a CCC marking because they do not require approval.

**Curves/Diagrams****Accessories****OMH-40**

## Mounting bracket

Other suitable accessories can be found at [www.pepperl-fuchs.com](http://www.pepperl-fuchs.com)



Release date: 2012-03-02 10:02 Date of issue: 2012-03-02 4 18846\_eng.xml