



**Model Number**

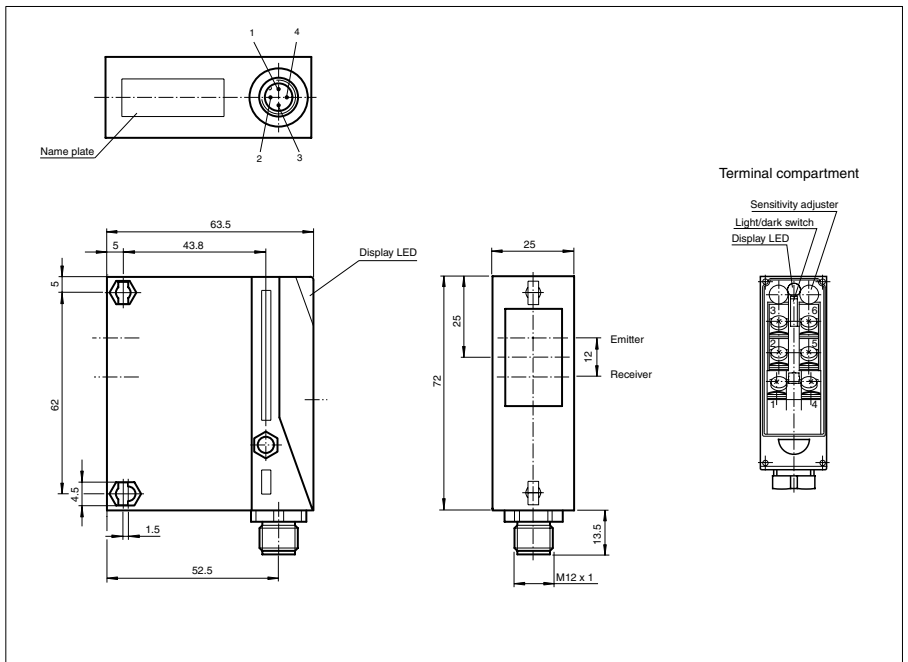
**RL25/25/32/92**

Retroreflective sensor with polarization filter  
with M12, 4-pin metal connector

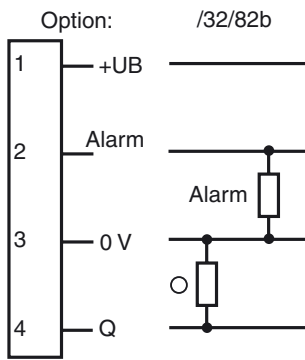
**Features**

- Sensing range up to 8 m
- Compact design
- Sensitivity adjuster and light-/dark switch
- Pre-fault indication and output

**Dimensions**



**Electrical connection**



○ = Light on  
● = Dark on

Release date: 2010-08-04 14:02 Date of issue: 2011-01-26 418971\_ENG.xml

Subject to modifications without notice

Pepperl+Fuchs Group  
www.pepperl-fuchs.com

USA: +1 330 486 0001  
fa-info@us.pepperl-fuchs.com

Germany: +49 621 776-4411  
fa-info@pepperl-fuchs.com

Copyright Pepperl+Fuchs  
Singapore: +65 6779 9091  
fa-info@sg.pepperl-fuchs.com

## Technical data

### General specifications

Effective detection range	0 ... 4000 mm
Reflector distance	0 ... 4000 mm
Threshold detection range	8 m (with C110-2 reflector)
Reference target	reflector C110-2
Light source	LED
Light type	modulated visible red light
Approvals	CE, cULus
Diameter of the light spot	approx. 100 mm at a distance of 4000 mm
Angle of divergence	approx. 2 °
Ambient light limit	80000 Lux

### Indicators/operating means

Function display	LED green, lights up when light beam is free/flashes when falling short of the stability control
Controls	sensitivity adjustment
Controls	Light/Dark switch

### Electrical specifications

Operating voltage	$U_B$	10 ... 30 V DC
Ripple		10 %
No-load supply current	$I_0$	40 mA

### Output

Output of the pre-fault indication	PNP	
Switching type	light/dark on switchable	
Signal output	1 PNP, short-circuit protected, reverse polarity protected, open collector	
Switching voltage	30 V DC	
Switching current	max. 200 mA	
Switching frequency	$f$	250 Hz
Response time		2 ms

### Standard conformity

Standards	EN 60947-5-2
-----------	--------------

### Ambient conditions

Ambient temperature	-20 ... 60 °C (-4 ... 140 °F)
Storage temperature	-20 ... 75 °C (-4 ... 167 °F)

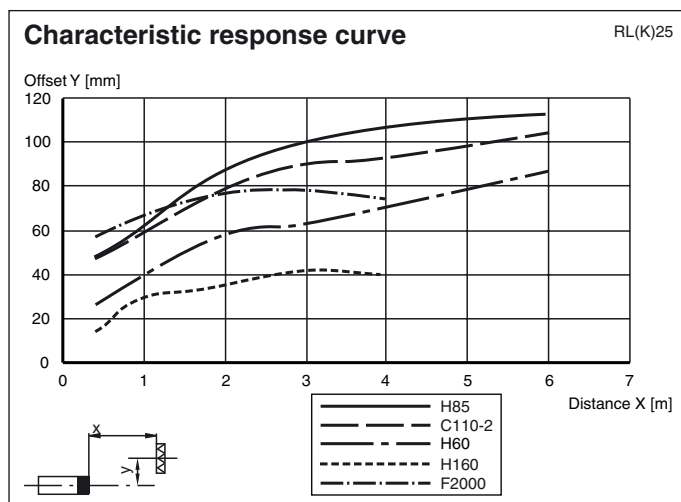
### Mechanical specifications

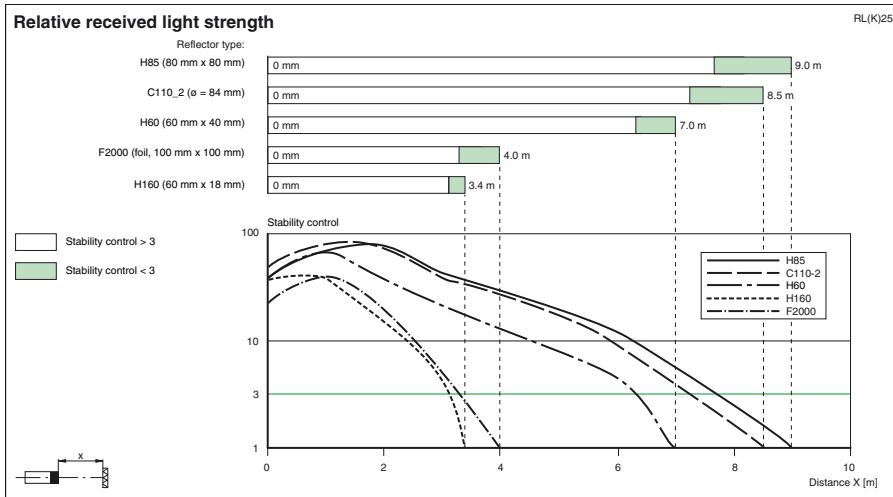
Protection degree	IP65
Connection	M12 connector, 4-pin
Material	
Housing	Terluran GV15
Optical face	glass
Mass	90 g

### Approvals and certificates

CCC approval	Products with a maximum operating voltage of $\leq 36$ V do not bear a CCC marking because they do not require approval.
--------------	--

## Curves/Diagrams





Release date: 2010-08-04 14:02 Date of issue: 2011-01-26 418971\_ENG.xml