



Model Number

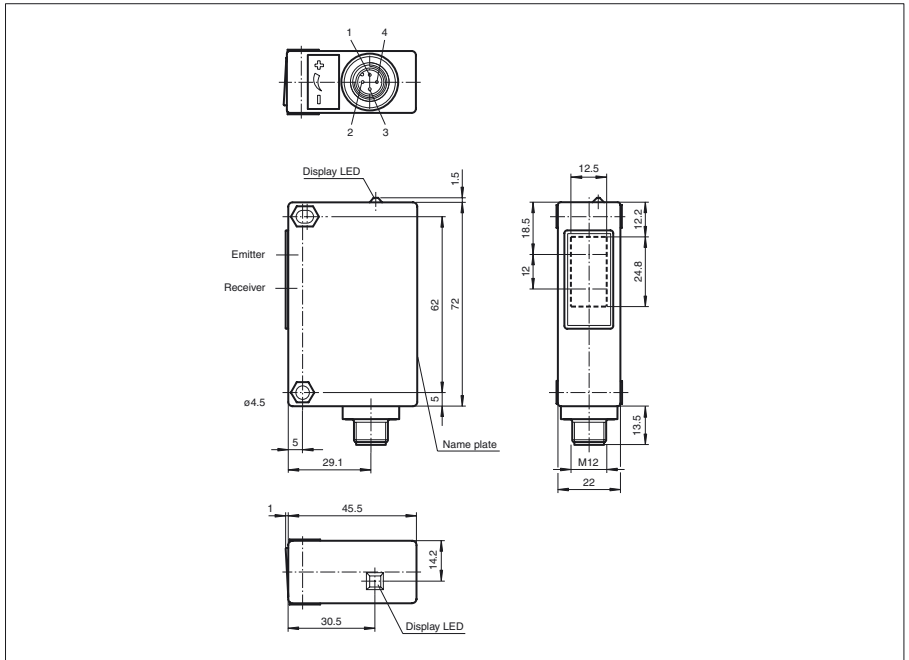
RL32-55/47/73c

Retroreflective sensor with polarization filter
with 4-pin, M12 x 1 plastic connector

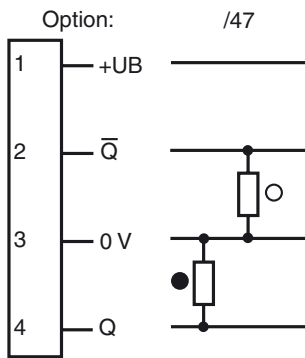
Features

- Glare protected with polarization filter
- Excellent optical performance data
- Scratch-resistant and solvent resistant glass lens
- Sleek design, especially for storage and conveyor systems

Dimensions



Electrical connection



○ = Light on
● = Dark on

Release date: 2008-05-20 08:48 Date of issue: 2011-01-26 419009_ENG.xml

Technical data

General specifications

Effective detection range	0 ... 10 m
Reflector distance	0.3 ... 10 m
Threshold detection range	14 m (with H85 reflector)
Light source	LED
Light type	modulated visible red light
Approvals	CE
Diameter of the light spot	approx. 250 mm at 10 m detection range
Angle of divergence	approx. 3 °
Ambient light limit	80000 Lux

Indicators/operating means

Function display	LED yellow, lights up when light beam is free, flashes when falling short of the stability control
------------------	--

Electrical specifications

Operating voltage	U_B	10 ... 30 V DC
Ripple		10 %
No-load supply current	I_0	40 mA

Output

Switching type	dark on	
Signal output	2 PNP, complementary, short-circuit protected, reverse polarity protected	
Switching voltage	30 V DC	
Switching current	max. 200 mA	
Switching frequency	f	250 Hz
Response time		2 ms

Standard conformity

Standards	EN 60947-5-2
-----------	--------------

Ambient conditions

Ambient temperature	-20 ... 60 °C (-4 ... 140 °F)
Storage temperature	-20 ... 60 °C (-4 ... 140 °F)

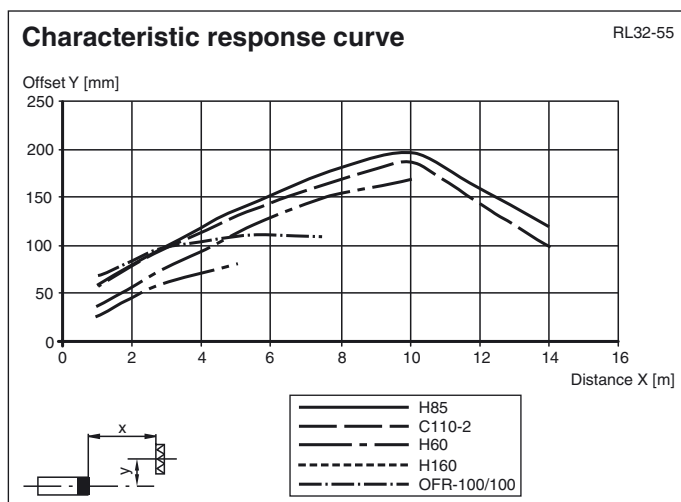
Mechanical specifications

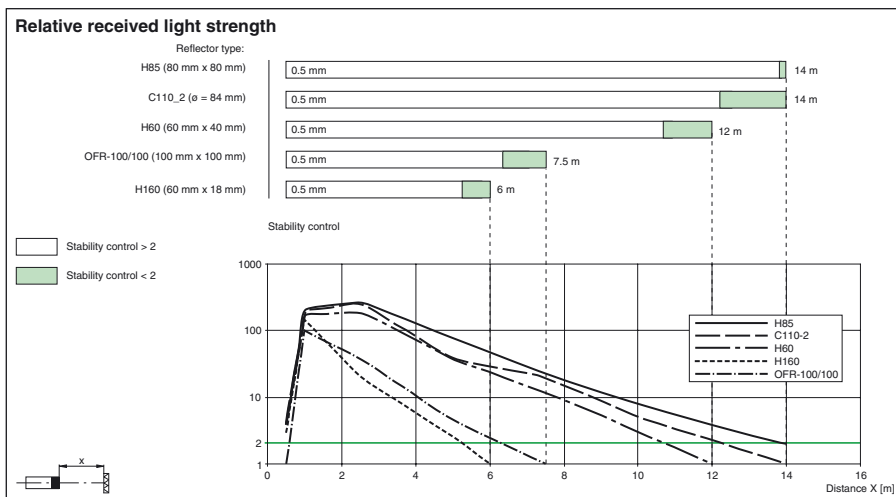
Protection degree	IP65
Connection	Plastic connector M12 x 1, 4-pin
Material	
Housing	Terluran GV15
Optical face	glass
Mass	60 g

Approvals and certificates

CCC approval	Products with a maximum operating voltage of ≤ 36 V do not bear a CCC marking because they do not require approval.
--------------	--

Curves/Diagrams





Release date: 2008-05-20 08:48 Date of issue: 2011-01-26 419009_ENG.xml