



Model Number

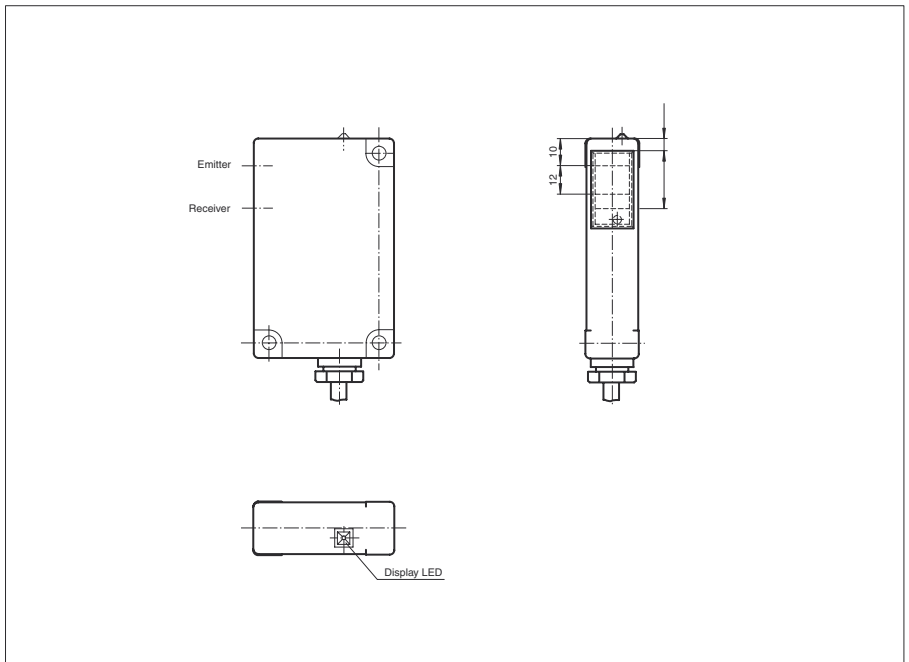
RL30-54/32/82b/115

Retroreflective sensor with polarization filter
with 2 m fixed cable

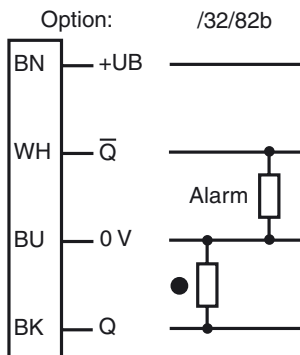
Features

- Sleek design, especially for storage and conveyor systems
- Scratch-resistant and solvent resistant glass lens
- Glare protected with polarization filter
- Reliable detection of reflecting metall objects

Dimensions



Electrical connection



○ = Light on
● = Dark on

Release date: 2006-04-28 09:06 Date of issue: 2011-01-26 419014_ENG.xml

Technical data

General specifications

Effective detection range	0 ... 4000 mm
Reflector distance	250 ... 4000 mm
Threshold detection range	7000 mm on reflector H 60
Reference target	H60 reflector
Light source	LED
Light type	modulated visible red light
Approvals	CE
Diameter of the light spot	approx. 200 mm at a distance of 4000 mm
Angle of divergence	approx. 3 °
Ambient light limit	80000 Lux

Indicators/operating means

Function display	LED yellow, light with free light beam, off when falling short of the function reserve
------------------	--

Electrical specifications

Operating voltage	U_B	10 ... 30 V DC
No-load supply current	I_0	40 mA at 30 V DC

Output

Output of the pre-fault indication	1 PNP, inactive when falling short of the stability control	
Switching type	dark on	
Signal output	1 PNP output, short-circuit protected, protected from reverse polarity, open collector	
Switching voltage	30 V DC	
Switching current	max. 200 mA	
Switching frequency	f	250 Hz
Response time	2 ms	

Standard conformity

Standards	EN 60947-5-2
-----------	--------------

Ambient conditions

Ambient temperature	-20 ... 60 °C (-4 ... 140 °F)
Storage temperature	-20 ... 75 °C (-4 ... 167 °F)

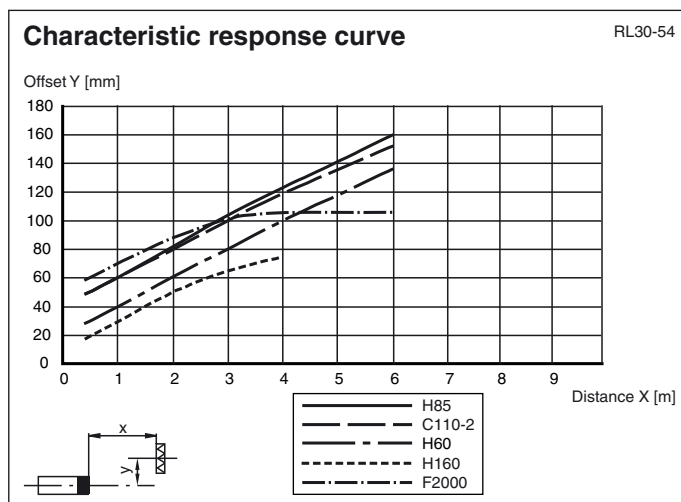
Mechanical specifications

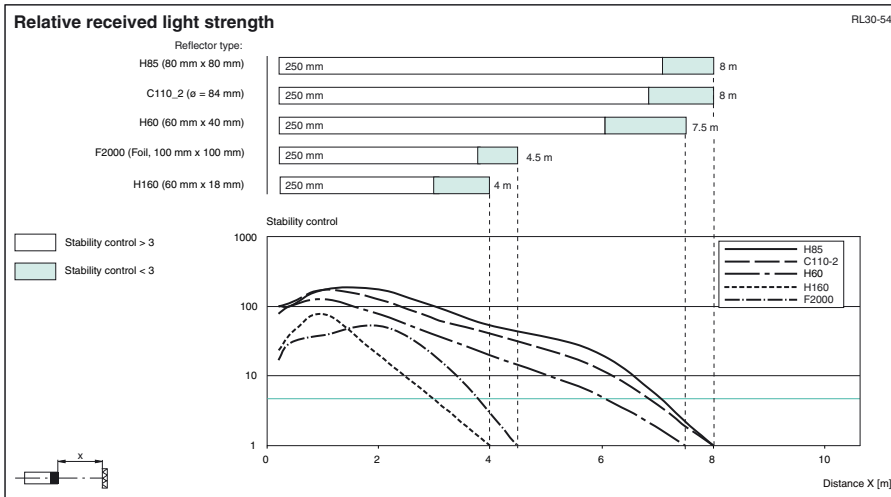
Protection degree	IP65
Connection	2 m fixed cable
Material	
Housing	Terluran GV15
Optical face	glass
Mass	40 g

Approvals and certificates

CCC approval	Products with a maximum operating voltage of ≤ 36 V do not bear a CCC marking because they do not require approval.
--------------	--

Curves/Diagrams





Release date: 2006-04-28 09:06 Date of issue: 2011-01-26 419014_ENG.xml