



**Model Number**

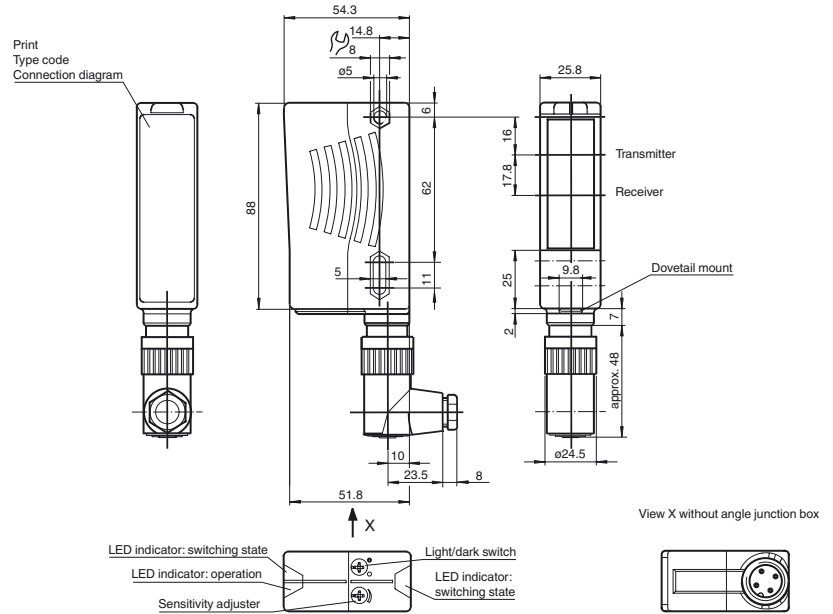
**RL28-55-V/47/74**

Retroreflective sensor  
with 4-pin, M18 x 1 plastic connector

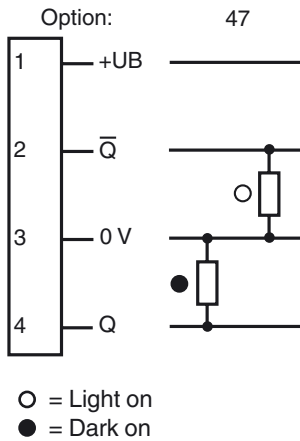
**Features**

- Foreground suppression, suited to recording of sheet-shrink-wrapped objects
- Ultra bright LEDs for power on, pre fault indication and switching state
- Not sensitive to ambient light, even with switched energy saving lamps
- Waterproof, protection degree IP67
- Protection class II

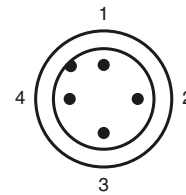
**Dimensions**



**Electrical connection**



**Pinout**



Release date: 2011-12-21 10:27 Date of issue: 2011-12-21 421155\_eng.xml

**Technical data****General specifications**

Effective detection range	0 ... 13 m
Reflector distance	0.5 ... 13 m (blind range 0 ... 0.2 m faded out)
Threshold detection range	17 m

Reference target	H85-2 reflector
Light source	LED
Light type	modulated visible red light , 660 nm
Diameter of the light spot	approx. 220 mm at a distance of 13 m
Angle of divergence	emitter 1.2° receiver 2°
Ambient light limit	80000 Lux

**Functional safety related parameters**

MTTF <sub>d</sub>	1140 a
Mission Time (T <sub>M</sub> )	20 a
Diagnostic Coverage (DC)	0 %

**Indicators/operating means**

Operating display	LED green
Function display	2 LEDs yellow, light up when light beam is free, flash when falling short of the stability control, off when light beam is interrupted
Controls	sensitivity adjustment (Adjustment to < 25% of the effective operating range) , Light/Dark switch

**Electrical specifications**

Operating voltage	U <sub>B</sub>	10 ... 30 V DC
Ripple		10 %
No-load supply current	I <sub>0</sub>	≤ 40 mA

**Output**

Switching type	light/dark on switchable	
Signal output	2 PNP, complementary, short-circuit protected, reverse polarity protected , open collectors	
Switching voltage	max. 30 V DC	
Switching current	max. 200 mA	
Switching frequency	f	1000 Hz
Response time		0.5 ms

**Ambient conditions**

Ambient temperature	-40 ... 60 °C (-40 ... 140 °F)
Storage temperature	-40 ... 75 °C (-40 ... 167 °F)

**Mechanical specifications**

Protection degree	IP67
Connection	connector M18, 4-pin
Material	
Housing	Plastic ABS
Optical face	plastic
Connector	plastic
Mass	70 g

**Compliance with standards and directives**

Standard conformity	
Product standard	EN 60947-5-2:2007

**Approvals and certificates**

Protection class	II, rated voltage ≤ 250 V AC with pollution degree 1-2 according to IEC 60664-1
UL approval	cULus
CCC approval	Products with a maximum operating voltage of ≤36 V do not bear a CCC marking because they do not require approval.

**Accessories****OMH-05**

Mounting aid for round steel ø 12 mm or sheet 1.5 mm ... 3 mm

**OMH-07**

Mounting aid for round steel ø 12 mm or sheet 1.5 mm ... 3 mm

**OMH-21**

Mounting bracket

**OMH-22**

Mounting bracket

**OMH-MLV11-K**

dove tail mounting clamp

**OMH-RLK29**

Mounting bracket

**OMH-RLK29-HW**

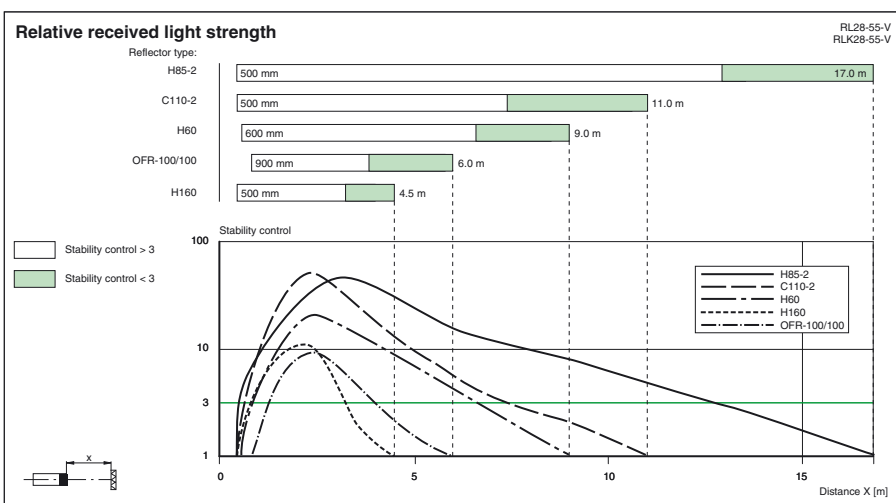
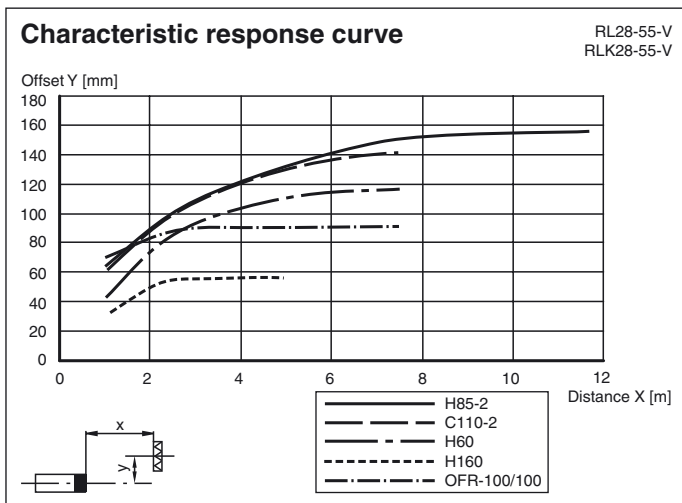
Mounting bracket for rear wall mounting

**OMH-RL28-C**

Protective cover

Other suitable accessories can be found at [www.pepperl-fuchs.com](http://www.pepperl-fuchs.com)

Curves/Diagrams



Release date: 2011-12-21 10:27 Date of issue: 2011-12-21 421155\_eng.xml